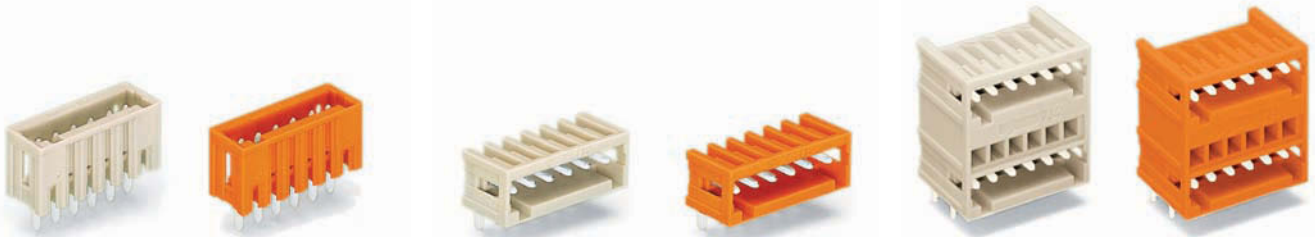


# MULTI CONNECTION SYSTEM MINI – 100% Protected Against Mismatching

## Male Headers with Solder Pins; Double-Deck Male Headers with Solder Pins, Pin Spacing 3.5 mm and 3.81 mm

Pin spacing 3.5 mm/0.138 in, light gray Pin spacing 3.81 mm/0.15 in, orange 160 V/2.5 kV/2   300 V, 10 A I <sub>N</sub> 10 A   300 V, 10 A	Pin spacing 3.5 mm/0.138 in, light gray Pin spacing 3.81 mm/0.15 in, orange 160 V/2.5 kV/2   300 V, 10 A I <sub>N</sub> 10 A   300 V, 10 A	Pin spacing 3.5 mm/0.138 in, light gray Pin spacing 3.81 mm/0.15 in, orange 160 V/2.5 kV/2   300 V, 10 A I <sub>N</sub> 10 A   300 V, 10 A
<b>1</b> Approvals	<b>1</b> Approvals	<b>1</b> Approvals

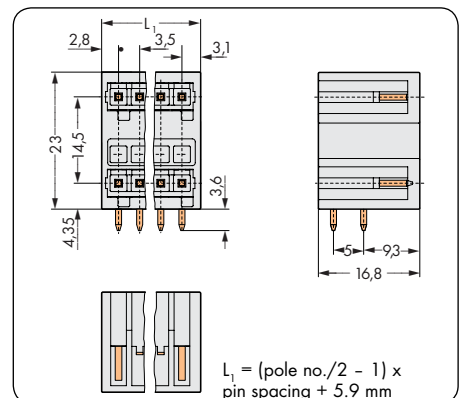
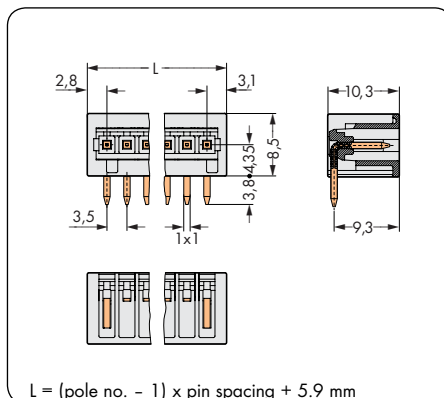
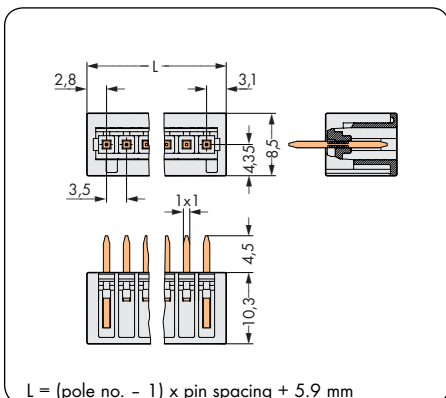


Pole No.	Item No.	Item No.	Pack. Unit	Pole No.	Item No.	Item No.	Pack. Unit	Pole No.	Item No.	Item No.	Pack. Unit
<b>Male header, 100% protected against mismatching, (1 x 1) mm straight solder pins</b>				<b>Male header, 100% protected against mismatching, (1 x 1) mm angled solder pins</b>				<b>Double-deck male header without support, 100% protection against mismatching, (1 x 1) mm angled solder pins</b>			
Pin spacing 3.5 mm		3.81 mm		Pin spacing 3.5 mm		3.81 mm		Pin spacing 3.5 mm		3.81 mm	
light gray		orange		light gray		orange		light gray		orange	
2	○ 734-132	● 734-232	200	2	○ 734-162	● 734-262	200	2	○ 734-402	● 734-432	100
:	:	:		:	:	:		3	○ 734-403	● 734-433	100
6	○ 734-136	● 734-236	100	6	○ 734-166	● 734-266	100	4	○ 734-404	● 734-434	100
7	○ 734-137	-	100	7	○ 734-167	-	100	5	○ 734-405	● 734-435	100
8	○ 734-138	● 734-238	100	8	○ 734-168	● 734-268	100	6	○ 734-406	● 734-436	100
9	○ 734-139	● 734-239	100	9	○ 734-169	● 734-269	100	7	○ 734-407	-	50
10	○ 734-140	● 734-240	100	10	○ 734-170	● 734-270	100	8	○ 734-408	● 734-438	50
12	○ 734-142	● 734-242	100	12	○ 734-172	● 734-272	100	9	○ 734-409	● 734-439	50
13	○ 734-143	-	100	13	○ 734-173	-	100	10	○ 734-410	● 734-440	50
14	○ 734-144	● 734-244	100	14	○ 734-174	● 734-274	100	12	○ 734-412	● 734-442	50
16	○ 734-146	● 734-246	50	16	○ 734-176	● 734-276	50				
18	○ 734-148	● 734-248	50	18	○ 734-178	● 734-278	50				
20	○ 734-150	● 734-250	50	20	○ 734-180	● 734-280	50				
24	○ 734-154	-	50	24	○ 734-184	-	50				

### Accessories, 734 Series

<b>Coding key, snap-on type</b> light gray <b>734-130</b> 100	<b>Coding key, snap-on type</b> light gray <b>734-130</b> 100	<b>Coding key, to be snapped above top level</b> light gray <b>734-130</b> 100
<p><b>Note:</b> These connectors shall only be mated or unmated at voltages below 42V and in the "no load" condition.</p> <p>For mating and unmating at low power values, please request data.</p>		<b>Coding key, to be snapped in bottom level,</b> light gray <b>734-400</b> 100

### Dimensions Drilled hole diameter: 1.4<sup>+0.1</sup> mm

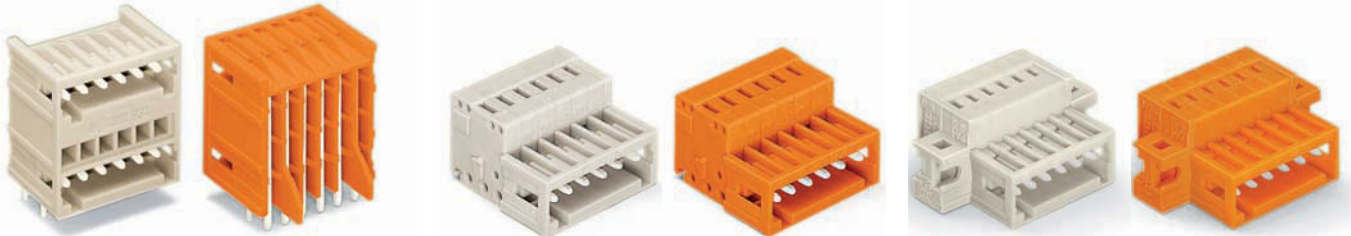


# MULTI CONNECTION SYSTEM MINI – 100% Protected Against Mismatching

## Double-Deck Male Headers with Solder Pins; Male Connectors with CAGE CLAMP® Connection, Pin spacing 3.5 mm and 3.81 mm

Pin spacing 3.5 mm/0.138 in, light gray Pin spacing 3.81 mm/0.15 in, orange 160 V/2.5 kV/2 I <sub>N</sub> 10 A	Pin spacing 3.5 mm/0.138 in, light gray Pin spacing 3.81 mm/0.15 in, orange 0.08 - 1.5 mm <sup>2</sup> 160 V/2.5 kV/2 I <sub>N</sub> 10 A 7 mm / 0.28 in	Pin spacing 3.5 mm/0.138 in, light gray Pin spacing 3.81 mm/0.15 in, orange 0.08 - 1.5 mm <sup>2</sup> 160 V/2.5 kV/2 I <sub>N</sub> 10 A 7 mm / 0.28 in
300 V, 10 A 300 V, 10 A	AWG 28 - 14* 300 V, 10 A 300 V, 10 A	AWG 28 - 14* 300 V, 10 A 300 V, 10 A
① Approvals	① Approvals	① Approvals

### CAGE CLAMP®



Pole No. Item No.	Item No.	Pole No. Item No.	Item No.	Pole No. Item No.	Item No.
<b>Double-deck male header with support,</b> (1 x 1) mm angled solder pins		<b>Male connector with CAGE CLAMP®</b>		<b>Male connector with CAGE CLAMP® and fixing flanges</b>	
Pin spacing 3.5 mm	3.81 mm	Pin spacing 3.5 mm	3.81 mm	Pin spacing 3.5 mm	3.81 mm
light gray	orange	light gray	orange	light gray	orange
2 ○ 734-402/001-000	● 734-432/001-000	2 ○ 734-302	● 734-332	2 ○ 734-302/019-000	● 734-332/019-000
3 ○ 734-403/001-000	● 734-433/001-000	3 ○ 734-303	● 734-333	3 ○ 734-303/019-000	● 734-333/019-000
4 ○ 734-404/001-000	● 734-434/001-000	:	:	:	:
5 ○ 734-405/001-000	● 734-435/001-000	10 ○ 734-310	● 734-340	10 ○ 734-310/019-000	● 734-340/019-000
6 ○ 734-406/001-000	● 734-436/001-000	11 ○ 734-311	-	11 ○ 734-311/019-000	-
7 ○ 734-407/001-000	● -	12 ○ 734-312	● 734-342	12 ○ 734-312/019-000	● 734-342/019-000
8 ○ 734-408/001-000	● 734-438/001-000	13 ○ 734-313	-	13 ○ 734-313/019-000	-
9 ○ 734-409/001-000	● 734-439/001-000	14 ○ 734-314	● 734-344	14 ○ 734-314/019-000	● 734-344/019-000
10 ○ 734-410/001-000	● 734-440/001-000	16 ○ 734-316	● 734-346	16 ○ 734-316/019-000	● 734-346/019-000
12 ○ 734-412/001-000	● 734-442/001-000	18 ○ 734-318	● 734-348	18 ○ 734-318/019-000	● 734-348/019-000
		20 ○ 734-320	● 734-350	20 ○ 734-320/019-000	● 734-350/019-000
		24 ○ 734-324	-	24 ○ 734-324/019-000	-

### Accessories, Item-Specific

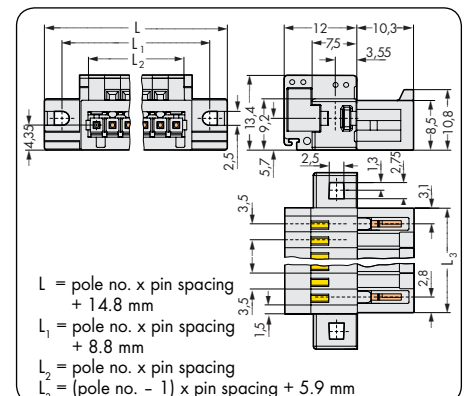
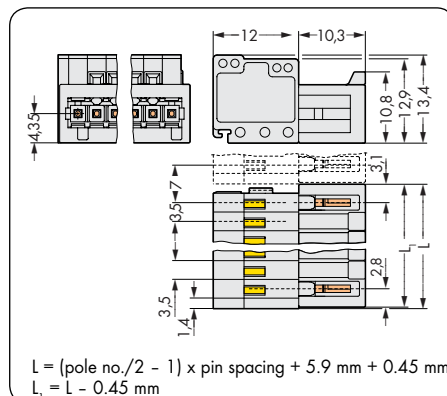
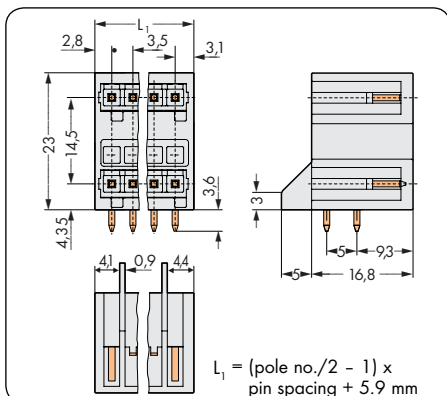
Coding key, light gray, to be snapped in <b>bottom</b> level <b>734-400</b> 100	Operating lever, for male connectors <b>734-230</b> 100(4x25)	Screw with nut, M 2 x 12 mm <b>231-195</b> 200 (2x100)
---	---	--

### Accessories, 734 Series

Coding key, light gray, to be snapped above <b>top</b> level <b>734-130</b> 100	Operating tool, with partially insulated shaft, (2.5x0.4)mm blade <b>210-719</b> 1	Marker cards, 80 self-adhesive strips per card direct printing upon request
<b>Note:</b> These connectors shall only be mated or unmated at voltages below 42V and in the "no load" condition.  For mating and unmating at low power values, please request data.	Test pin, 1 mm Ø, with solder connection for test cable <b>735-500</b> 1	Marking 1 - 16 (240x) Spacing 3.5 mm <b>210-332/350-202</b> 17 - 32 (240x) Spacing 3.5 mm <b>210-332/350-204</b> 1 - 16 (160x) Spacing 3.81 mm <b>210-332/381-202</b> 17 - 32 (160x) Spacing 3.81 mm <b>210-332/381-204</b>
	Strain relief plates, see page 113	

### Dimensions

Drilled hole diameter: 1.4<sup>+0.1</sup> mm



\* AWG 14: THHN, THWN

For technical explanations and abbreviations, see technical section.

# MULTI CONNECTION SYSTEM MINI – 100% Protected Against Mismatching

## Female Connectors, Pin spacing 3.5 mm and 3.81 mm

Pin spacing 3.5 mm/0.138 in, light gray Pin spacing 3.81 mm/0.15 in, orange 0.08 - 1.5 mm <sup>2</sup>   AWG 28 - 14* 160 V/2.5 kV/2   300 V, 10 A I <sub>N</sub> 10 A   300 V, 10 A  Approvals	Pin spacing 3.5 mm/0.138 in, light gray Pin spacing 3.81 mm/0.15 in, orange 0.08 - 1.5 mm <sup>2</sup>   AWG 28 - 14* 160 V/2.5 kV/2   300 V, 10 A I <sub>N</sub> 10 A   300 V, 10 A  Approvals	Pin spacing 3.5 mm/0.138 in, light gray Pin spacing 3.81 mm/0.15 in, orange 0.2 - 1.5 mm <sup>2</sup>   AWG 24 - 14* 160 V/2.5 kV/2   300 V, 10 A I <sub>N</sub> 10 A   300 V, 10 A  Approvals
---	---	--

### CAGE CLAMP®

### CAGE CLAMP®S



Pole No.	Item No.	Item No.	Pack. Unit	Pole No.	Item No.	Item No.	Pack. Unit	Pole No.	Item No.	Item No.	Pack. Unit
<b>Female connector with CAGE CLAMP®, with coding fingers</b>				<b>Female connector with CAGE CLAMP® and locking levers, with coding fingers</b>				<b>Female connector with CAGE CLAMP®S and integrated push-buttons, with coding fingers</b>			
	Pin spacing 3.5 mm	3.81 mm			Pin spacing 3.5 mm	3.81 mm			Pin spacing 3.5 mm	3.81 mm	
	light gray	orange			light gray	orange			light gray	orange	
2	○ 734-102	● 734-202	200	2	○ 734-102/037-000	● 734-202/037-000	100	2	○ 2734-102	● 2734-202	200
3	○ 734-103	● 734-203	200	3	○ 734-103/037-000	● 734-203/037-000	100	3	○ 2734-103	● 2734-203	200
:	:	:		:	:	:		:	:	:	
9	○ 734-109	● 734-209	50	9	○ 734-109/037-000	● 734-209/037-000	50	9	○ 2734-109	● 2734-209	50
10	○ 734-110	● 734-210	50	10	○ 734-110/037-000	● 734-210/037-000	50	10	○ 2734-110	● 2734-210	50
12	○ 734-112	● 734-212	25	12	○ 734-112/037-000	● 734-212/037-000	25	12	○ 2734-112	● 2734-212	25
13	○ 734-113	-	25	13	○ 734-113/037-000	● -	25	13	○ 2734-113	-	25
14	○ 734-114	● 734-214	25	14	○ 734-114/037-000	● 734-214/037-000	25	14	○ 2734-114	● 2734-214	25
16	○ 734-116	● 734-216	25	16	○ 734-116/037-000	● 734-216/037-000	25	16	○ 2734-116	● 2734-216	25
18	○ 734-118	● 734-218	25	18	○ 734-118/037-000	● 734-218/037-000	25	18	○ 2734-118	● 2734-218	25
20	○ 734-120	● 734-220	25	20	○ 734-120/037-000	● 734-220/037-000	25	20	○ 2734-120	● 2734-220	25
24	○ 734-124	-	25	24	○ 734-124/037-000	-	25	24	○ 2734-124	-	25

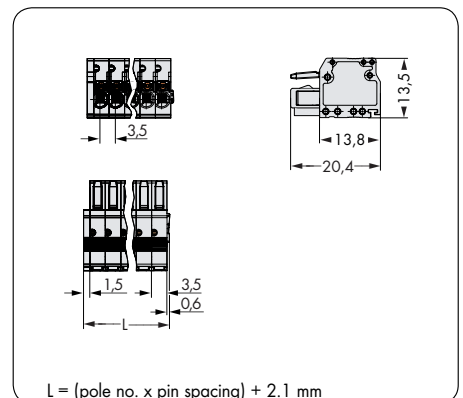
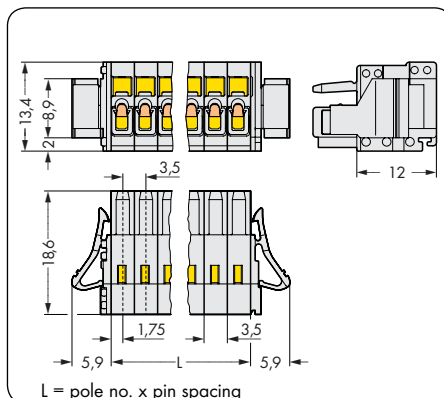
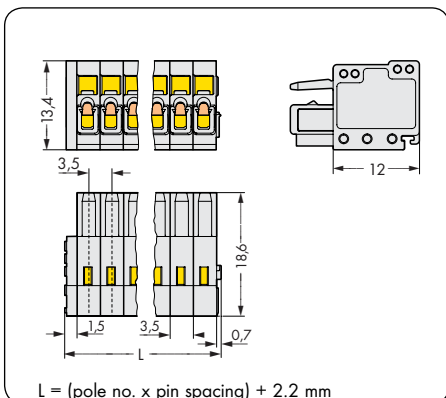
### Accessories, Item-Specific

	<b>Operating lever,</b> for male and female connectors <b>734-230</b> 100
--	---

### Accessories, 734 and 2734 Series

	<b>Operating tool with partially insulated shaft, type 1, (2.5x0.4) mm blade</b> <b>210-719</b> 1		<b>Marker cards,</b> 80 self-adhesive strips per card direct printing upon request		<b>Marker cards,</b> 80 self-adhesive strips per card direct printing upon request
	<b>Test pin, 1 mm Ø,</b> with solder connection for test cable <b>735-500</b> 1		<b>Marking</b> 1 - 16 (240x) Spacing 3.5 mm <b>210-332/350-202</b> 17 - 32 (240x) Spacing 3.5 mm <b>210-332/350-204</b> 1 - 16 (160x) Spacing 3.81 mm <b>210-332/381-202</b> 17 - 32 (160x) Spacing 3.81 mm <b>210-332/381-204</b>		<b>Marking</b> 1 - 16 (240x) Spacing 3.5 mm <b>210-332/350-202</b> 17 - 32 (240x) Spacing 3.5 mm <b>210-332/350-204</b> 1 - 16 (160x) Spacing 3.81 mm <b>210-332/381-202</b> 17 - 32 (160x) Spacing 3.81 mm <b>210-332/381-204</b>
	<b>Strain relief plates,</b> see page 113				

### Dimensions



Approvals are available online at: [www.wago.com](http://www.wago.com).

# MULTI CONNECTION SYSTEM MINI HD – 100% Protected Against Mismatching

## Male Headers and Female Connectors, Pin Spacing 3.5 mm, 713 Series

<b>Pin spacing 3.5 mm / 0.138 in</b> 160 V/2.5 kV/3 $I_N$ 10 A Approvals	<b>Pin spacing 3.5 mm / 0.138 in</b> 160 V/2.5 kV/3 $I_N$ 10 A Approvals	<b>Pin spacing 3.5 mm / 0.138 in</b> 0.08 - 1.5 mm <sup>2</sup>   AWG 28 - 16 160 V/2.5 kV/3 $I_N$ 10 A 6 - 7 mm / 0.24 - 0.28 in Approvals
---	---	--

**CAGE CLAMP®**

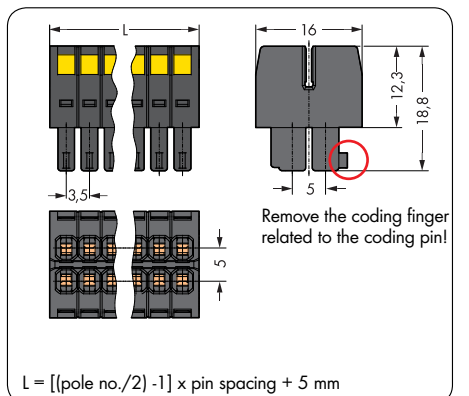
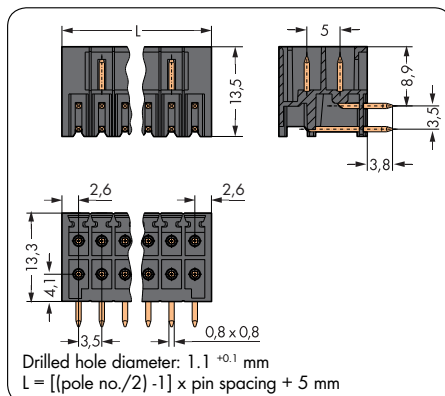
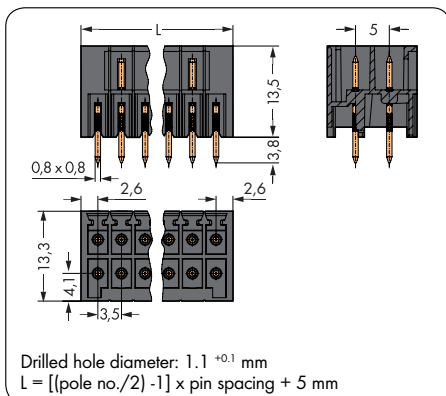
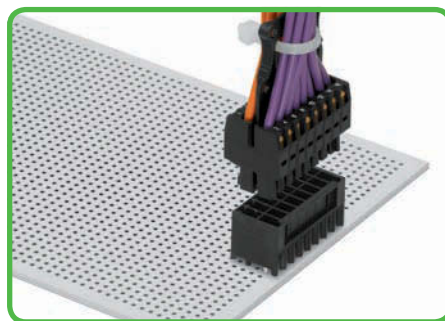
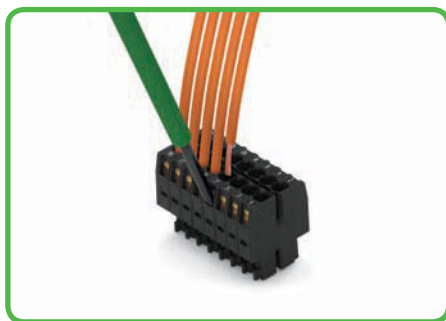


Pole No.	Item No.	Pack. Unit	Pole No.	Item No.	Pack. Unit	Pole No.	Item No.	Pack. Unit
<b>Male header, 2-row,</b> (0.8 x 0.8) mm straight solder pins, black			<b>Male header, 2-row,</b> (0.8 x 0.8) mm angled solder pins, black			<b>Female connector with CAGE CLAMP®, 2-row,</b> with coding fingers to be cut off, black		
● 6 (3 x 2)	713-1403	100	● 6 (3 x 2)	713-1423	100	● 6 (3 x 2)	713-1103	100
● 8 (4 x 2)	713-1404	50	● 8 (4 x 2)	713-1424	50	● 8 (4 x 2)	713-1104	50
● 10 (5 x 2)	713-1405	50	● 10 (5 x 2)	713-1425	50	● 10 (5 x 2)	713-1105	50
● 12 (6 x 2)	713-1406	50	● 12 (6 x 2)	713-1426	50	● 12 (6 x 2)	713-1106	50
● 14 (7 x 2)	713-1407	50	● 14 (7 x 2)	713-1427	50	● 14 (7 x 2)	713-1107	50
● 16 (8 x 2)	713-1408	25	● 16 (8 x 2)	713-1428	25	● 16 (8 x 2)	713-1108	25
● 18 (9 x 2)	713-1409	25	● 18 (9 x 2)	713-1429	25	● 18 (9 x 2)	713-1109	25
● 20 (10 x 2)	713-1410	25	● 20 (10 x 2)	713-1430	25	● 20 (10 x 2)	713-1110	25
● 22 (11 x 2)	713-1411	25	● 22 (11 x 2)	713-1431	25	● 22 (11 x 2)	713-1111	25
● 24 (12 x 2)	713-1412	25	● 24 (12 x 2)	713-1432	25	● 24 (12 x 2)	713-1112	25
● 26 (13 x 2)	713-1413	25	● 26 (13 x 2)	713-1433	25	● 26 (13 x 2)	713-1113	25
● 28 (14 x 2)	713-1414	20	● 28 (14 x 2)	713-1434	20	● 28 (14 x 2)	713-1114	20
● 30 (15 x 2)	713-1415	20	● 30 (15 x 2)	713-1435	20	● 30 (15 x 2)	713-1115	20
● 32 (16 x 2)	713-1416	20	● 32 (16 x 2)	713-1436	20	● 32 (16 x 2)	713-1116	20
● 34 (17 x 2)	713-1417	20	● 34 (17 x 2)	713-1437	20	● 34 (17 x 2)	713-1117	20
● 36 (18 x 2)	713-1418	20	● 36 (18 x 2)	713-1438	20	● 36 (18 x 2)	713-1118	20
<b>Coding pin carrier</b>	<b>714-101</b>	100 (4x25)	<b>Coding pin carrier</b>	<b>714-101</b>	100 (4x25)			

**Accessories, 713 Series**

	<b>Operating tool with partially insulated shaft, type 1,</b> (2.5 x 0.4) mm blade <b>210-719</b> 1
	<b>Strain relief plate</b> 11 mm wide <b>713-126</b> 100 25 mm wide <b>713-127</b> 100 39 mm wide <b>713-128</b> 100 53 mm wide <b>713-129</b> 100

**Dimensions**



For technical explanations and abbreviations, see technical section.

# MULTI CONNECTION SYSTEM MINI HD – 100% Protected Against Mismatching

## Male Headers and Female Connectors with Levers

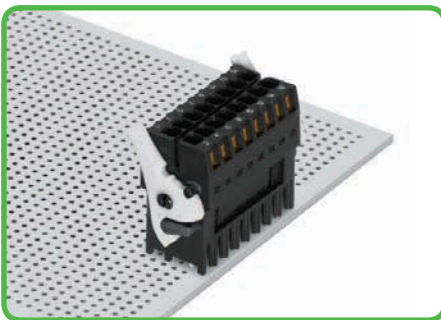
### Pin Spacing 3.5 mm; 713 Series

<b>Pin spacing 3.5 mm / 0.138 in</b> 160 V/2.5 kV/3 $I_N$ 10 A Approvals	<b>Pin spacing 3.5 mm / 0.138 in</b> 160 V/2.5 kV/3 $I_N$ 10 A Approvals	<b>Pin spacing 3.5 mm / 0.138 in</b> 0.08 - 1.5 mm <sup>2</sup> 160 V/2.5 kV/3 $I_N$ 10 A AWG 28 - 16 6 - 7 mm / 0.25 in Approvals
---	---	--

**CAGE CLAMP®**



Pole No.	Item No.	Pack. Unit	Pole No.	Item No.	Pack. Unit	Pole No.	Item No.	Pack. Unit
<b>Male header, 2-row, with levers,</b> (0.8 x 0.8) mm straight solder pins, black			<b>Male header, 2-row, with levers,</b> (0.8 x 0.8) mm angled solder pins, black			<b>Female connector, 2-row, with levers,</b> with CAGE CLAMP®, with coding fingers to be cut off, black		
● 6 (3 x 2)	713-1403/037-000	50	● 6 (3 x 2)	713-1423/037-000	50	● 6 (3 x 2)	713-1103/037-000	50
● 8 (4 x 2)	713-1404/037-000	50	● 8 (4 x 2)	713-1424/037-000	50	● 8 (4 x 2)	713-1104/037-000	50
● 10 (5 x 2)	713-1405/037-000	50	● 10 (5 x 2)	713-1425/037-000	50	● 10 (5 x 2)	713-1105/037-000	50
● 12 (6 x 2)	713-1406/037-000	25	● 12 (6 x 2)	713-1426/037-000	50	● 12 (6 x 2)	713-1106/037-000	25
● 14 (7 x 2)	713-1407/037-000	25	● 14 (7 x 2)	713-1427/037-000	50	● 14 (7 x 2)	713-1107/037-000	25
● 16 (8 x 2)	713-1408/037-000	25	● 16 (8 x 2)	713-1428/037-000	25	● 16 (8 x 2)	713-1108/037-000	25
● 18 (9 x 2)	713-1409/037-000	25	● 18 (9 x 2)	713-1429/037-000	25	● 18 (9 x 2)	713-1109/037-000	25
● 20 (10 x 2)	713-1410/037-000	25	● 20 (10 x 2)	713-1430/037-000	25	● 20 (10 x 2)	713-1110/037-000	20
● 22 (11 x 2)	713-1411/037-000	20	● 22 (11 x 2)	713-1431/037-000	20	● 22 (11 x 2)	713-1111/037-000	20
● 24 (12 x 2)	713-1412/037-000	20	● 24 (12 x 2)	713-1432/037-000	20	● 24 (12 x 2)	713-1112/037-000	20
● 26 (13 x 2)	713-1413/037-000	20	● 26 (13 x 2)	713-1433/037-000	20	● 26 (13 x 2)	713-1113/037-000	20
● 28 (14 x 2)	713-1414/037-000	20	● 28 (14 x 2)	713-1434/037-000	20	● 28 (14 x 2)	713-1114/037-000	20
● 30 (15 x 2)	713-1415/037-000	20	● 30 (15 x 2)	713-1435/037-000	20	● 30 (15 x 2)	713-1115/037-000	20
● 32 (16 x 2)	713-1416/037-000	20	● 32 (16 x 2)	713-1436/037-000	20	● 32 (16 x 2)	713-1116/037-000	20
● 34 (17 x 2)	713-1417/037-000	10	● 34 (17 x 2)	713-1437/037-000	10	● 34 (17 x 2)	713-1117/037-000	10
● 36 (18 x 2)	713-1418/037-000	10	● 36 (18 x 2)	713-1438/037-000	10	● 36 (18 x 2)	713-1118/037-000	10
<b>Coding pin carrier 714-101</b>			<b>Coding pin carrier 714-101</b>					



#### Accessories, 713 Series

	<b>Operating tool with partially insulated shaft, type 1, (2.5 x 0.4) mm blade</b>	<b>210-719</b>	1
	<b>Strain relief plate</b>		
	11 mm wide	<b>713-126</b>	100
	25 mm wide	<b>713-127</b>	100
	39 mm wide	<b>713-128</b>	100
	53 mm wide	<b>713-129</b>	100

#### Dimensions

