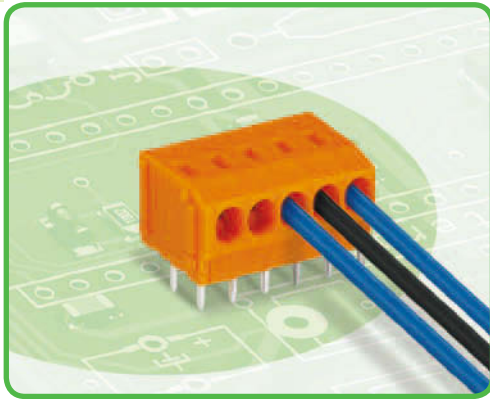


Modular PCB Terminal Blocks and Strips 1.5 mm² Pin Spacing 3.81 mm 235 Series



- Low-profile terminal strips with screwdriver-actuated PUSH WIRE® termination
- Push-in termination of solid conductors
- Double solder pins for high mechanical stability
- Conductor removal via screwdriver (2.5 mm x 0.4 mm)
- For 235 Series with push-buttons, see page 133

Technical data:

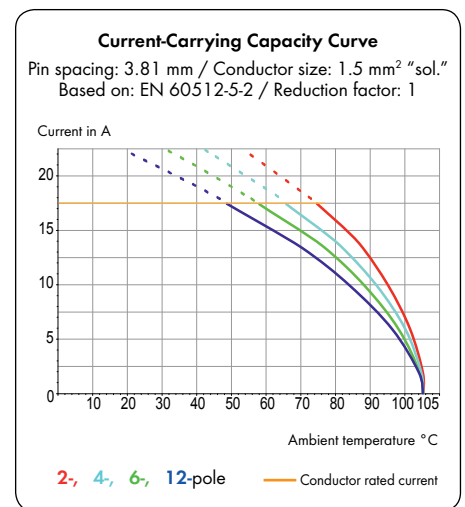
Pin Spacing	3.81 mm 0.15 in				
Rating per	IEC/EN 60664-1				
Overvoltage category	III	III	II		
Pollution degree	3	2	2		
Rated voltage	200 V	320 V	500 V		
Rated surge voltage	4 kV	4 kV	4 kV		
Nominal current	17.5 A	17.5 A	17.5 A		
Approvals per	UL/CSA				
Use group UL1059	B	C	D		
Rated voltage	300 V	-	300 V		
Nominal current UL	10 A	-	10 A		
Nominal current CSA	10 A	-	-		

Conductor and solder pin data:

Connection technology	PUSH WIRE®
Conductor size: solid	0.5 - 1.5 mm ²
Conductor size: fine-stranded	0.25 - 0.75 mm ² (with insulated ferrule)
Conductor size: fine-stranded	0.25 - 0.75 mm ² (with uninsulated ferrule)
AWG	20 - 16 "sol."
Strip length	9 - 10 mm / 0.35 - 0.39 in
Conductor entry angle	0° to PCB
Solder pin: length/width	3.6 mm / 0.8 x 0.4 mm
Solder pin: drilled hole diameter	1.0 ^{+0.1} mm

Material data:

Material group	I
Insulating material	Nylon 6.6 (PA 6.6)
Flammability rating per UL 94	V0
Lower/Upper temperature limit	-60°C / +105°C
Clamping spring material	Chrome-nickel spring steel (CrNi)
Contact material	Electrolytic copper (E _{Cu})
Contact plating	tin-plated

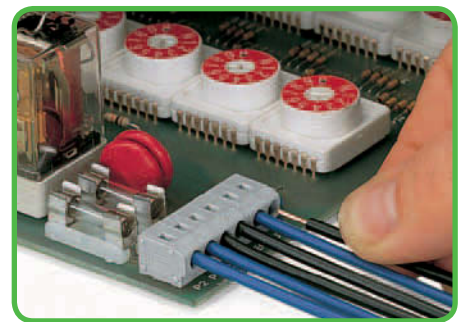
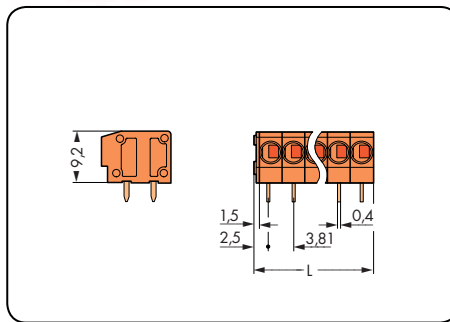
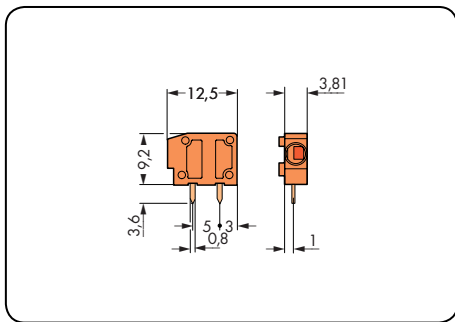
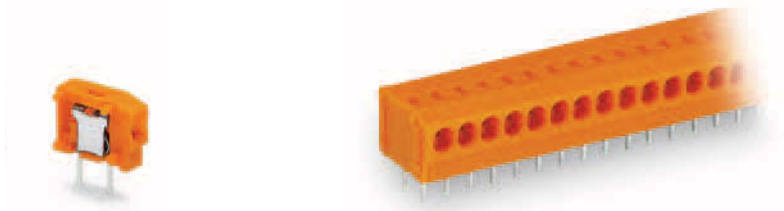


235 Series accessories:

Page:

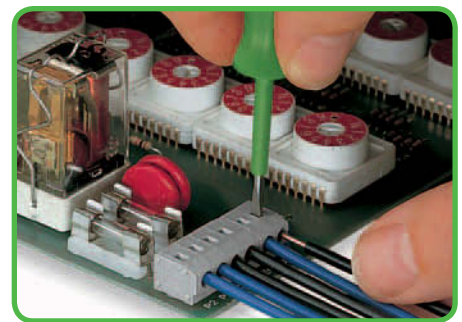
Marking accessories	540 - 543
Operating tools	526 - 528

Pin spacing 3.81 mm / 0.15 in		Pin spacing 3.81 mm / 0.15 in		Handling
0.5 – 1.5 mm ² "sol."	AWG 20 – 16 "sol."	0.5 – 1.5 mm ² "sol."	AWG 20 – 16 "sol."	
320 V/4 kV/2 17.5 A	300 V/10 A	320 V/4 kV/2 17.5 A	300 V/10 A	



Push-in termination of solid conductors.

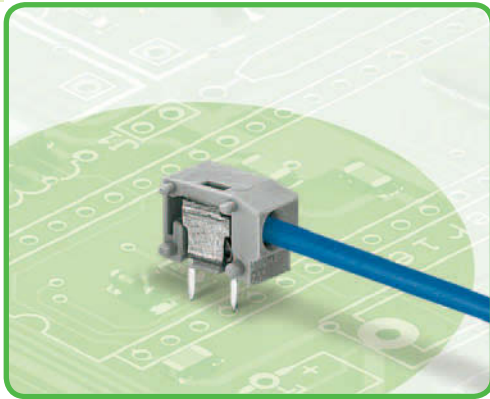
Color	Item No.	Pack. Unit	Pole No.	Item No.	Pack. Unit
Modular terminal block, 2 solder pins/pole, orange			Terminal strip, 2 solder pins/pole, orange		
orange	235-101/330-000	800 (8 x 100)	2	235-102/330-000	520 (4 x 130)
			3	235-103/330-000	360 (4 x 90)
			4	235-104/330-000	280 (4 x 70)
			5	235-105/330-000	220 (4 x 55)
			6	235-106/330-000	180 (4 x 45)
			7	235-107/330-000	160 (4 x 40)
			8	235-108/330-000	140 (4 x 35)
			9	235-109/330-000	120 (4 x 30)
			10	235-110/330-000	120 (4 x 30)
			12	235-112/330-000	100 (4 x 25)
			16	235-116/330-000	60 (4 x 15)
			24	235-124/330-000	40 (4 x 10)
			36	235-136/330-000	20 (4 x 5)
			48	235-148/330-000	20 (4 x 5)



Conductor removal via 2.5 mm x 0.4 mm screwdriver.

Product Accessories	Item No.	Pack. Unit
Spacer for doubling the pin spacing, orange		
	235-316	100
End plate , snap-on type, 1 mm thick, orange		
	235-600	100

Modular PCB Terminal Blocks 2.5 mm² Pin Spacing 5/5.08 mm, 7.5/7.62 mm, 10/10.16 mm 235 Series



- Low-profile modular terminal blocks with screwdriver-actuated PUSH WIRE® termination for custom terminal strip assemblies
- Push-in termination of solid conductors
- Double solder pins for high mechanical stability
- Set to metric or inch pin spacing by compressing terminal strips together or pulling them apart
- Versions with test slots can be found at www.wago.com
- For 235 Series with push-buttons, see page 137

Technical data:

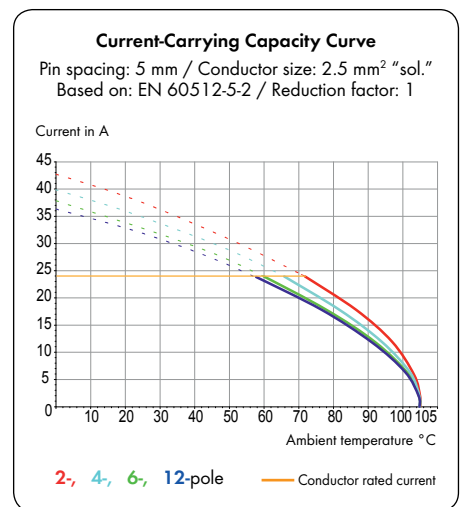
Pin Spacing	5/5.08 mm 0.2 in			7.5/7.62 mm 0.3 in			10/10.16 mm 0.4 in		
	IEC/EN 60664-1			IEC/EN 60664-1			IEC/EN 60664-1		
Rating per	IEC/EN 60664-1			IEC/EN 60664-1			IEC/EN 60664-1		
Overtoltage category	III	III	II	III	III	II	III	III	II
Pollution degree	3	2	2	3	2	2	3	2	2
Rated voltage	250 V	320 V	630 V	400 V	630 V	1000 V	630 V	1000 V	1000 V
Rated surge voltage	4 kV	4 kV	4 kV	6 kV	6 kV	6 kV	8 kV	8 kV	8 kV
Nominal current	24 A	24 A	24 A	24 A	24 A	24 A	24 A	24 A	24 A
Approvals per	UL/CSA			UL/CSA			UL/CSA		
Use group UL 1059	B	C	D	B	C	D	B	C	D
Rated voltage	300 V	-	300 V	300 V	-	300 V	300 V	-	300 V
Nominal current UL	10 A	-	10 A	10 A	-	10 A	10 A	-	10 A
Nominal current CSA	15 A	-	-	15 A	-	-	15 A	-	-

Conductor and solder pin data:

Connection technology	PUSH WIRE®
Conductor size: solid	0.5 - 2.5 mm ²
Conductor size: fine-stranded	0.25 - 1.5 mm ² (with insulated ferrule)
Conductor size: fine-stranded	0.25 - 1.5 mm ² (with uninsulated ferrule)
AWG	20 - 14 "sol."
Strip length	9 - 10 mm / 0.35 - 0.39 in
Conductor entry angle	0° to PCB
Solder pin: length/width	3.6 mm / 0.8 x 0.4 mm
Solder pin: drilled hole diameter	1 ^{+0.1} mm

Material data:

Material group	I
Insulating material	Nylon 6.6 (PA 6.6)
Flammability rating per UL 94	V0
Lower/Upper temperature limit	-60°C / +105°C
Clamping spring material	Chrome-nickel spring steel (CrNi)
Contact material	Electrolytic copper (E _{cu})
Contact plating	tin-plated



235 Series accessories:

Page:

Marking accessories	540 - 543
Operating tools	526 - 528

Modular PCB Terminal Blocks 2.5 mm²

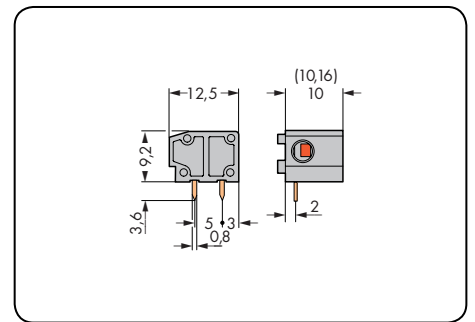
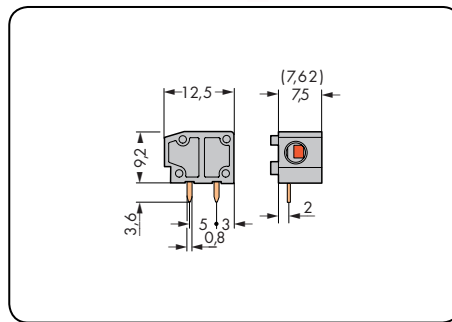
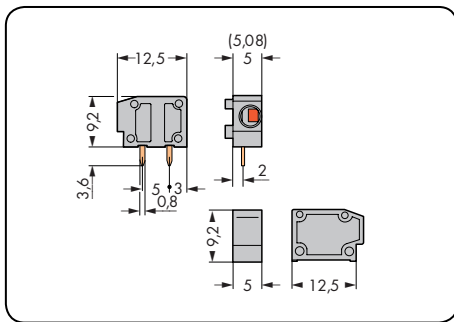
PUSH WIRE®

1


153


1

Pin spacing 5/5.08 mm / 0.2 in		Pin spacing 7.5/7.62 mm / 0.3 in		Pin spacing 10/10.16 mm / 0.4 in	
0.5 – 2.5 mm ² "sol."	AWG 20 – 14 "sol."	0.5 – 2.5 mm ² "sol."	AWG 20 – 14 "sol."	0.5 – 2.5 mm ² "sol."	AWG 20 – 14 "sol."
320 V/4 kV/2 24 A	300 V/10 A	630 V/6 kV/2 24 A	300 V/10 A	1000 V/8 kV/2 24 A	300 V/10 A



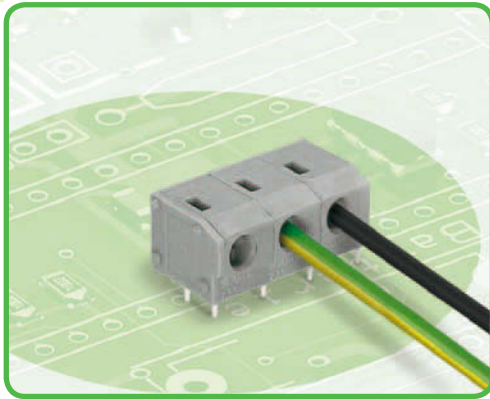
Color	Item No.	Pack. Unit	Color	Item No.	Pack. Unit	Color	Item No.	Pack. Unit
Modular terminal block, 2 solder pins/pole			Modular terminal block, 2 solder pins/pole			Modular terminal block, 2 solder pins/pole		
gray	235-401	800 (8 x 100)	gray	235-501	600 (6 x 100)	gray	235-801	400 (4 x 100)
dark gray	235-742	800 (8 x 100)	dark gray	235-752	600 (6 x 100)	dark gray	235-762	400 (4 x 100)
light gray	235-743	800 (8 x 100)	light gray	235-753	600 (6 x 100)	light gray	235-763	400 (4 x 100)
blue	235-744	800 (8 x 100)	blue	235-754	600 (6 x 100)	blue	235-764	400 (4 x 100)
orange	235-746	800 (8 x 100)	orange	235-756	600 (6 x 100)	orange	235-766	400 (4 x 100)
light green	235-747	800 (8 x 100)	light green	235-757	600 (6 x 100)	light green	235-767	400 (4 x 100)
			① Suitable for Ex i applications			① Suitable for Ex i applications		

Product Accessories	Item No.	Pack. Unit
Spacer for modular terminal blocks for doubling the pin spacing, gray		
	235-701	100

End plates for modular terminal blocks, 235 Series, snap-on type, 1 mm/0.039 in thick	Color	Item No.	Pack. Unit
	gray	235-100	100
	dark gray	235-200	100
	light gray	235-300	100
	blue	235-400	100
	black	235-500	100
	yellow	235-550	100
	orange	235-600	100
	violet	235-650	100
	light green	235-700	100
	red	235-800	100
	white	235-850	100

For other colors, please contact factory.

PCB Terminal Strips 2.5 mm² Pin Spacing 5/5.08 mm, 7.5/7.62 mm, 10/10.16 mm 235 Series



- Low-profile terminal strips with screwdriver-actuated PUSH WIRE® termination
- Push-in termination of solid conductors
- Double solder pins for high mechanical stability
- Set to metric or inch pin spacing by compressing terminal strips together or pulling them apart
- Versions with test slots can be found at www.wago.com
- For 235 Series with push-buttons, see page 139

Technical data:

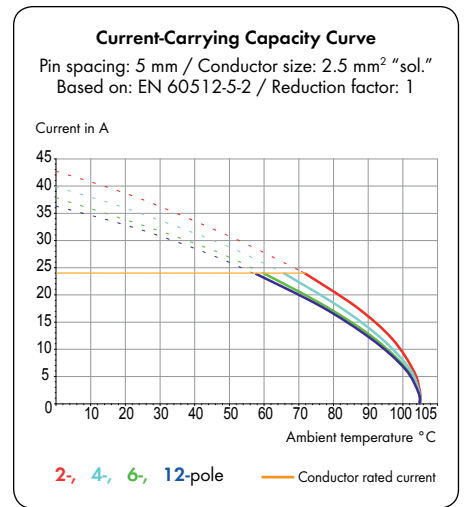
Pin Spacing	5/5.08 mm 0.2 in			7.5/7.62 mm 0.3 in			10/10.16 mm 0.4 in		
	IEC/EN 60664-1			IEC/EN 60664-1			IEC/EN 60664-1		
Rating per	IEC/EN 60664-1			IEC/EN 60664-1			IEC/EN 60664-1		
Overtoltage category	III	III	II	III	III	II	III	III	II
Pollution degree	3	2	2	3	2	2	3	2	2
Rated voltage	250 V	320 V	630 V	400 V	630 V	1000 V	630 V	1000 V	1000 V
Rated surge voltage	4 kV	4 kV	4 kV	6 kV	6 kV	6 kV	8 kV	8 kV	8 kV
Nominal current	24 A	24 A	24 A	24 A	24 A	24 A	24 A	24 A	24 A
Approvals per	UL/CSA			UL/CSA			UL/CSA		
Use group UL 1059	B	C	D	B	C	D	B	C	D
Rated voltage	300 V	-	300 V	300 V	-	300 V	300 V	-	300 V
Nominal current UL	10 A	-	10 A	10 A	-	10 A	10 A	-	10 A
Nominal current CSA	15 A	-	-	15 A	-	-	15 A	-	-

Conductor and solder pin data:

Connection technology	PUSH WIRE®
Conductor size: solid	0.5 - 2.5 mm ²
Conductor size: fine-stranded	0.25 - 1.5 mm ² (with insulated ferrule)
Conductor size: fine-stranded	0.25 - 1.5 mm ² (with uninsulated ferrule)
AWG	20 - 14 "sol."
Strip length	9 - 10 mm / 0.35 - 0.39 in
Conductor entry angle	0° to PCB
Solder pin: length/width	3.6 mm / 0.8 x 0.4 mm
Solder pin: drilled hole diameter	1 ^{+0.1} mm

Material data:

Material group	I
Insulating material	Nylon 6.6 (PA 6.6)
Flammability rating per UL 94	V0
Lower/Upper temperature limit	-60°C / +105°C
Clamping spring material	Chrome-nickel spring steel (CrNi)
Contact material	Electrolytic copper (E _{cu})
Contact plating	tin-plated

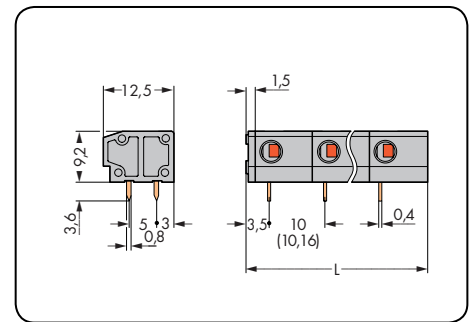
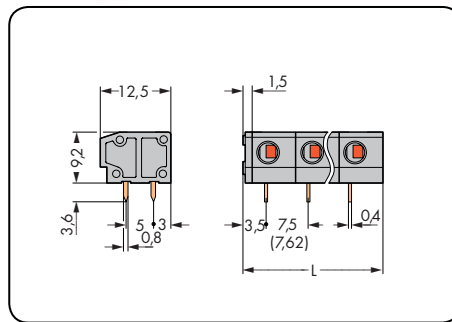
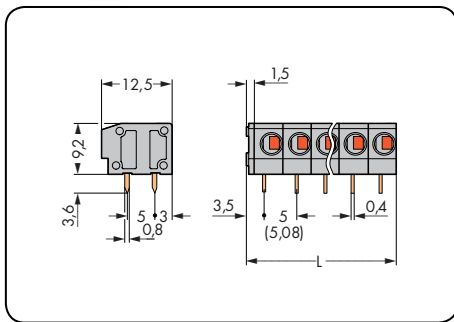
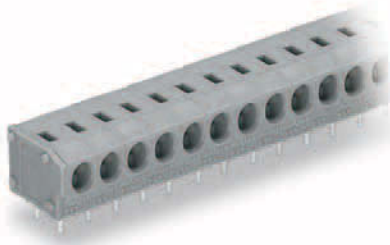


235 Series accessories:

Page:

Marking accessories	540 - 543
Operating tools	526 - 528

Pin spacing 5/5.08 mm / 0.2 in		Pin spacing 7.5/7.62 mm / 0.3 in		Pin spacing 10/10.16 mm / 0.4 in	
0.5 – 2.5 mm ² "sol."	AWG 20 – 14 "sol."	0.5 – 2.5 mm ² "sol."	AWG 20 – 14 "sol."	0.5 – 2.5 mm ² "sol."	AWG 20 – 14 "sol."
320 V/4 kV/2 24 A	300 V/10 A	630 V/6 kV/2 24 A	300 V/10 A	1000 V/8 kV/2 24 A	300 V/10 A



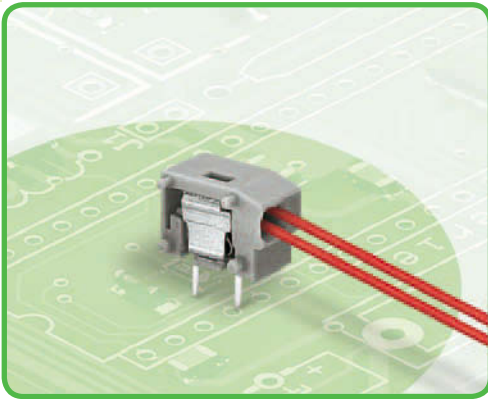
L = (pole no. x pin spacing) + 1.5 mm

Pole No.	Item No.	Pack. Unit	Pole No.	Item No.	Pack. Unit	Pole No.	Item No.	Pack. Unit
Terminal strip, 2 solder pins/pole, gray			Terminal strip, 2 solder pins/pole, gray			Terminal strip, 2 solder pins/pole, gray		
2	235-402	420 (4 x 105)	2	235-502	280 (4 x 70)	2	235-802	220 (4 x 55)
3	235-403	280 (4 x 70)	3	235-503	200 (4 x 50)	3	235-803	140 (4 x 35)
4	235-404	220 (4 x 55)	4	235-504	140 (4 x 35)	4	235-804	120 (4 x 30)
5	235-405	180 (4 x 45)	5	235-505	120 (4 x 30)	5	235-805	80 (4 x 20)
6	235-406	140 (4 x 35)	6	235-506	100 (4 x 25)	6	235-806	80 (4 x 20)
7	235-407	120 (4 x 30)	7	235-507	80 (4 x 20)	7	235-807	60 (4 x 15)
8	235-408	100 (4 x 25)	8	235-508	60 (4 x 15)	8	235-808	40 (4 x 10)
9	235-409	100 (4 x 25)	9	235-509	60 (4 x 15)	9	235-809	40 (4 x 10)
10	235-410	80 (4 x 20)	10	235-510	60 (4 x 15)	10	235-810	40 (4 x 10)
12	235-412	60 (4 x 15)	12	235-512	40 (4 x 10)	12	235-812	40 (4 x 10)
16	235-416	60 (4 x 15)	16	235-516	40 (4 x 10)	16	235-816	20 (4 x 5)
24	235-424	40 (4 x 10)	24	235-524	20 (4 x 5)	24	235-824	20 (4 x 5)
36	235-436	20 (4 x 5)						
48	235-448	20 (4 x 5)						

Item no. suffixes for colored terminal strips: (Production and prices depend on quantity required)

① blue	... /000-006	Ordering example: Terminal strip, 7.5/7.62 mm pin spacing 16-pole, blue: 235-516/000-006
● dark gray	... /000-008	
○ light gray	... /000-009	
● orange	... /000-012	
● light green	... /000-017	
① Suitable for Ex i applications (only for 7.5/7.62 mm and 10/10.16 mm pin spacing)		

2-Conductor Modular PCB Terminal Blocks 0.75 mm² Pin Spacing 5/5.08 mm, 7.5/7.62 mm, 10/10.16 mm 235 Series



- Low-profile modular terminal blocks with screwdriver-actuated PUSH WIRE® termination for custom terminal strip assemblies
- Double-conductor connection for supply and signal distribution – ideal for solid, standard signal lines – suitable for push-in termination
- Double solder pins for high mechanical stability
- Combines with all 235 Series modular terminal blocks
- Set to metric or inch pin spacing by compressing terminal strips together or pulling them apart
- For 235 Series with push-buttons, see page 179

Technical data:

Pin Spacing	5/5.08 mm 0.2 in			7.5/7.62 mm 0.3 in			10/10.16 mm 0.4 in		
	IEC/EN 60664-1			IEC/EN 60664-1			IEC/EN 60664-1		
Rating per									
Overtoltage category	III	III	II	III	III	II	III	III	II
Pollution degree	3	2	2	3	2	2	3	2	2
Rated voltage	250 V	320 V	630 V	400 V	630 V	1000 V	630 V	1000 V	1000 V
Rated surge voltage	4 kV	4 kV	4 kV	6 kV	6 kV	6 kV	8 kV	8 kV	8 kV
Nominal current	10 A	10 A	10 A	10 A	10 A	10 A	10 A	10 A	10 A
Approvals per	UL/CSA			UL/CSA			UL/CSA		
Use group UL 1059	B	C	D	B	C	D	B	C	D
Rated voltage	300 V	-	300 V	300 V	-	300 V	300 V	-	300 V
Nominal current UL	10 A	-	10 A	10 A	-	10 A	10 A	-	10 A
Nominal current CSA	10 A	-	-	10 A	-	-	10 A	-	-

Conductor and solder pin data:

Connection technology	PUSH WIRE®
Conductor size: solid	2 x 0.25 - 0.75 mm ²
Conductor size: fine-stranded	2 x 0.25 - 0.34 mm ² (with uninsulated ferrule)
AWG	24 - 18 "sol."
Strip length	9 - 10 mm / 0.35 - 0.39 in
Conductor entry angle	0° to PCB
Solder pin: length/width	3.6 mm / 0.8 x 0.4 mm
Solder pin: drilled hole diameter	1 ^{±0.1} mm

Material data:

Material group	I
Insulating material	Nylon 6.6 (PA 6.6)
Flammability rating per UL 94	V0
Lower/Upper temperature limit	-60°C / +105°C
Clamping spring material	Chrome-nickel spring steel (CrNi)
Contact material	Electrolytic copper (E _{cu})
Contact plating	tin-plated

235 Series accessories:

Page:

Marking accessories	540 - 543
Operating tools	526 - 528

2-Conductor Modular PCB Terminal Blocks 0.75 mm²

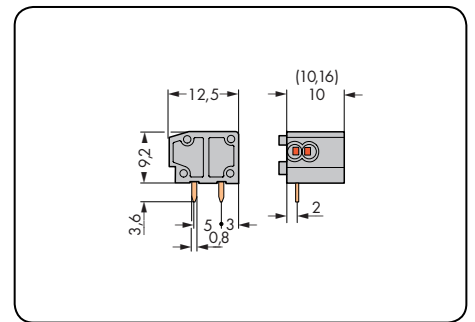
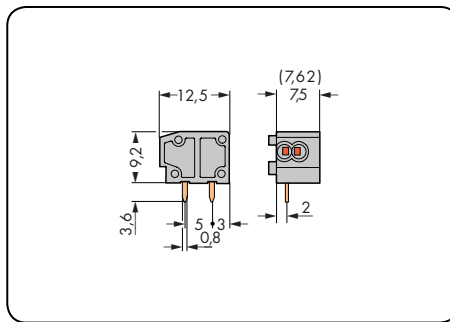
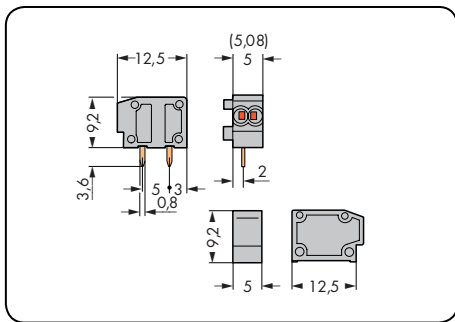
PUSH WIRE®

1


157


1

Pin spacing 5/5.08 mm / 0.2 in		Pin spacing 7.5/7.62 mm / 0.3 in		Pin spacing 10/10.16 mm / 0.4 in	
2 x 0.25 - 0.75 mm ² "sol."	2 x AWG 24 - 18 "sol."	2 x 0.25 - 0.75 mm ² "sol."	2 x AWG 24 - 18 "sol."	2 x 0.25 - 0.75 mm ² "sol."	2 x AWG 24 - 18 "sol."
320 V/4 kV/2 10 A	300 V/10 A	630 V/6 kV/2 10 A	300 V/10 A	1000 V/8 kV/2 10 A	300 V/10 A



Color	Item No.	Pack. Unit	Color	Item No.	Pack. Unit	Color	Item No.	Pack. Unit
2-conductor modular terminal block, 2 solder pins/pole			2-conductor modular terminal block, 2 solder pins/pole			2-conductor modular terminal block, 2 solder pins/pole		
gray	235-711	800 (8 x 100)	gray	235-551	600 (6 x 100)	gray	235-851	400 (4 x 100)
dark gray	235-712	800 (8 x 100)	dark gray	235-722	600 (6 x 100)	dark gray	235-732	400 (4 x 100)
light gray	235-713	800 (8 x 100)	light gray	235-723	600 (6 x 100)	light gray	235-733	400 (4 x 100)
blue	235-714	800 (8 x 100)	blue	235-724	600 (6 x 100)	blue	235-734	400 (4 x 100)
orange	235-716	800 (8 x 100)	orange	235-726	600 (6 x 100)	orange	235-736	400 (4 x 100)
light green	235-717	800 (8 x 100)	light green	235-727	600 (6 x 100)	light green	235-737	400 (4 x 100)
			① Suitable for Ex i applications			① Suitable for Ex i applications		

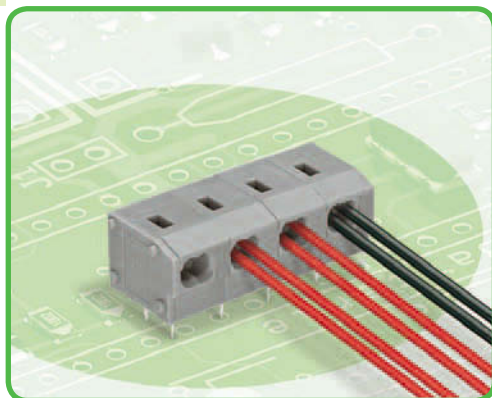
Product Accessories	Item No.	Pack. Unit
Spacer for doubling the pin spacing, gray		
	235-701	100

End plates for 235 Series, snap-on type, 1 mm/0.039 in thick	Color	Item No.	Pack. Unit
	gray	235-100	100
	dark gray	235-200	100
	light gray	235-300	100
	blue	235-400	100
	orange	235-600	100
	light green	235-700	100

For other colors, please contact factory.

WAGO®

2-Conductor PCB Terminal Strips 0.75 mm² Pin Spacing 5/5.08 mm, 7.5/7.62 mm, 10/10.16 mm 235 Series



- Low-profile terminal strips with screwdriver-actuated PUSH WIRE® termination
- Double-conductor connection for supply and signal distribution – ideal for solid, standard signal lines – suitable for push-in termination
- Set to metric or inch pin spacing by compressing terminal strips together or pulling them apart
- Versions with test slots can be found at www.wago.com
- For 235 Series with push-buttons, see page 181

Technical data:

Pin Spacing	5/5.08 mm 0.2 in			7.5/7.62 mm 0.3 in			10/10.16 mm 0.4 in		
	IEC/EN 60664-1			IEC/EN 60664-1			IEC/EN 60664-1		
Rating per	III	III	II	III	III	II	III	III	II
Overtoltage category	3	2	2	3	2	2	3	2	2
Pollution degree	3	2	2	3	2	2	3	2	2
Rated voltage	250 V	320 V	630 V	400 V	630 V	1000 V	630 V	1000 V	1000 V
Rated surge voltage	4 kV	4 kV	4 kV	6 kV	6 kV	6 kV	8 kV	8 kV	8 kV
Nominal current	10 A	10 A	10 A	10 A	10 A	10 A	10 A	10 A	10 A
Approvals per	UL/CSA			UL/CSA			UL/CSA		
Use group UL 1059	B	C	D	B	C	D	B	C	D
Rated voltage	300 V	-	300 V	300 V	-	300 V	300 V	-	300 V
Nominal current UL	10 A	-	10 A	10 A	-	10 A	10 A	-	10 A
Nominal current CSA	10 A	-	-	10 A	-	-	10 A	-	-

Conductor and solder pin data:

Connection technology	PUSH WIRE®
Conductor size: solid	2 x 0.25 - 0.75 mm ²
Conductor size: fine-stranded	2 x 0.25 - 0.34 mm ² (with uninsulated ferrule)
AWG	24 - 18 "sol."
Strip length	9 - 10 mm / 0.35 - 0.39 in
Conductor entry angle	0° to PCB
Solder pin: length/width	3.6 mm / 0.8 x 0.4 mm
Solder pin: drilled hole diameter	1 ^{+0.1} mm

Material data:

Material group	I
Insulating material	Nylon 6.6 (PA 6.6)
Flammability rating per UL 94	V0
Lower/Upper temperature limit	-60°C / +105°C
Clamping spring material	Chrome-nickel spring steel (CrNi)
Contact material	Electrolytic copper (E _{cu})
Contact plating	tin-plated

235 Series accessories:

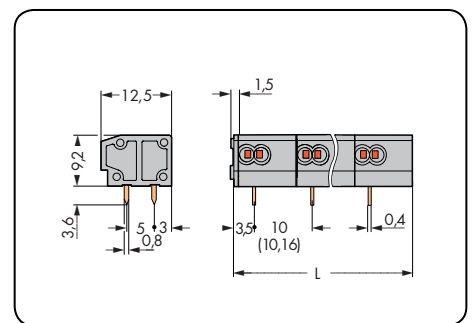
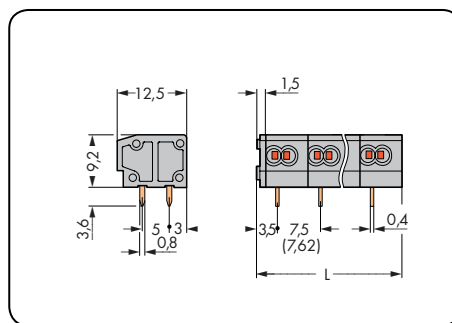
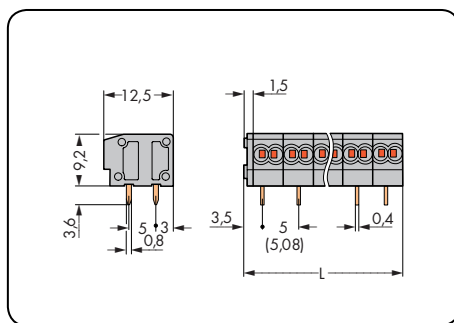
Page:

Marking accessories	540 - 543
Operating tools	526 - 528

2-Conductor PCB Terminal Strips 0.75 mm²

PUSH WIRE®

Pin spacing 5/5.08 mm / 0.2 in		Pin spacing 7.5/7.62 mm / 0.3 in		Pin spacing 10/10.16 mm / 0.4 in	
2 x 0.25 - 0.75 mm ² "sol."	2 x AWG 24 - 18 "sol."	2 x 0.25 - 0.75 mm ² "sol."	2 x AWG 24 - 18 "sol."	2 x 0.25 - 0.75 mm ² "sol."	2 x AWG 24 - 18 "sol."
320 V/4 kV/2 10 A	300 V/10 A	630 V/6 kV/2 10 A	300 V/10 A	1000 V/8 kV/2 10 A	300 V/10 A



L = (pole no. x pin spacing) + 1.5 mm

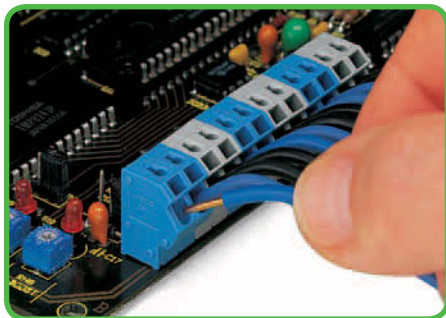
Pole No.	Item No.	Pack. Unit	Pole No.	Item No.	Pack. Unit	Pole No.	Item No.	Pack. Unit
2-conductor terminal strip, 2 solder pins/pole, gray			2-conductor terminal strip, 2 solder pins/pole, gray			2-conductor terminal strip, 2 solder pins/pole, gray		
2	235-452	420 (4 x 105)	2	235-552	280 (4 x 70)	2	235-852	220 (4 x 55)
3	235-453	280 (4 x 70)	3	235-553	200 (4 x 50)	3	235-853	140 (4 x 35)
4	235-454	220 (4 x 55)	4	235-554	140 (4 x 35)	4	235-854	120 (4 x 30)
5	235-455	180 (4 x 45)	5	235-555	120 (4 x 30)	5	235-855	80 (4 x 20)
6	235-456	140 (4 x 35)	6	235-556	100 (4 x 25)	6	235-856	80 (4 x 20)
7	235-457	120 (4 x 30)	7	235-557	80 (4 x 20)	7	235-857	60 (4 x 15)
8	235-458	100 (4 x 25)	8	235-558	60 (4 x 15)	8	235-858	40 (4 x 10)
9	235-459	100 (4 x 25)	9	235-559	60 (4 x 15)	9	235-859	40 (4 x 10)
10	235-460	80 (4 x 20)	10	235-560	60 (4 x 15)	10	235-860	40 (4 x 10)
12	235-462	60 (4 x 15)	12	235-562	40 (4 x 10)	12	235-862	40 (4 x 10)
16	235-466	60 (4 x 15)	16	235-566	40 (4 x 10)	16	235-866	20 (4 x 5)
24	235-474	40 (4 x 10)	24	235-574	20 (4 x 5)	24	235-874	20 (4 x 5)
36	235-486	20 (4 x 5)						
48	235-498	20 (4 x 5)						

Item no. suffixes for colored terminal strips: (Production and prices depend on quantity required)

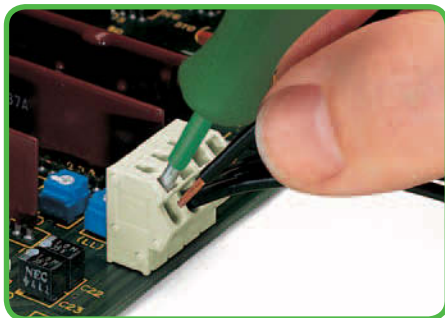
① blue	... /000-006	Ordering example: 2-conductor terminal strip, 7.5/7.62 mm pin spacing 16-pole, blue: 235-566/000-006
● dark gray	... /000-008	
○ light gray	... /000-009	
● orange	... /000-012	
● light green	... /000-017	
① Suitable for Ex i applications (only for 7.5/7.62 mm and 10/10.16 mm pin spacing)		

Description and Handling 254 Series

PUSH WIRE® connection

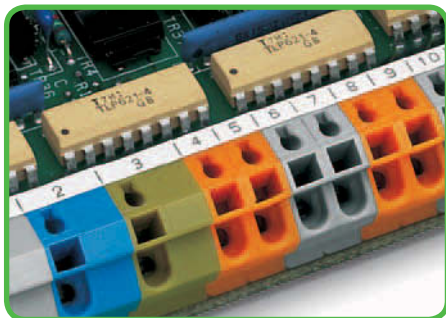


Inserting solid conductor via push-in termination.



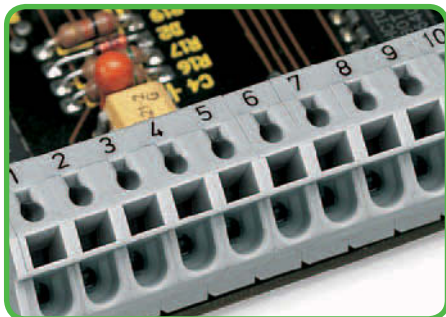
Inserting tip-bonded conductor via screwdriver.

Marking

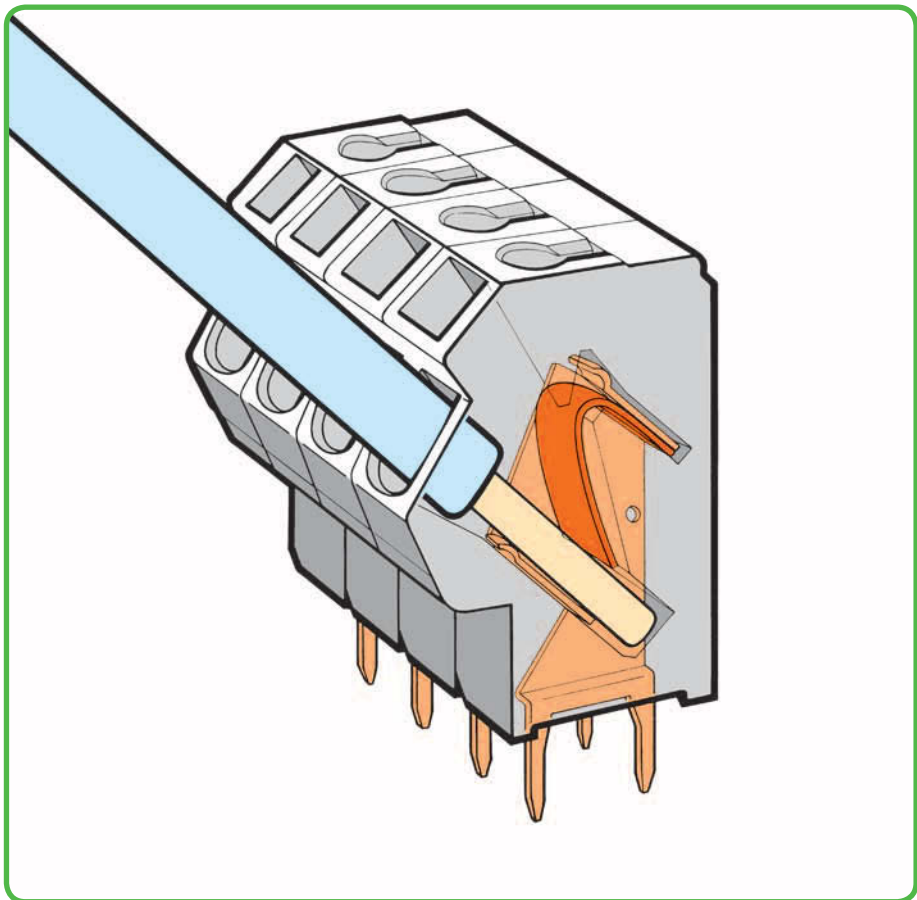


Marking via self-adhesive strips ...

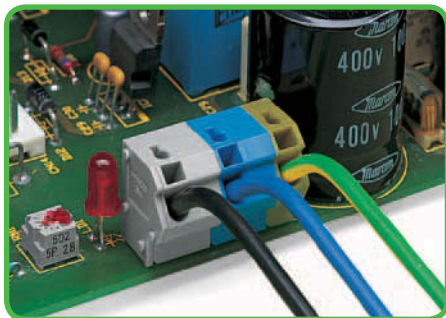
Marking



... or factory direct printing.

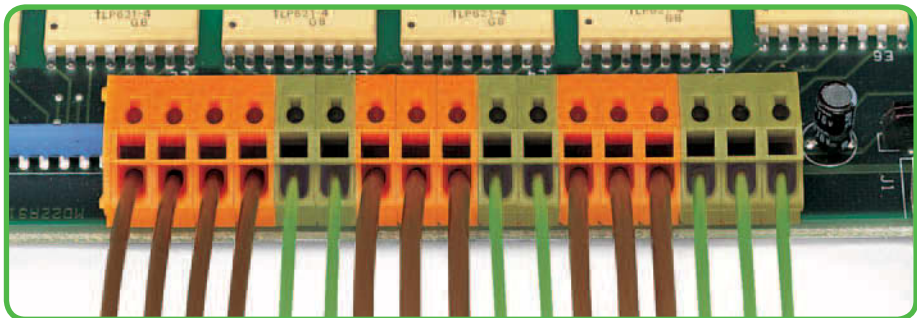


Application



Application example: Terminal strip for field connections.

Formation of mixed terminal strips



Formation of terminal strips with mixed-color housings.

PUSH WIRE® clamps the following copper conductors:*



solid

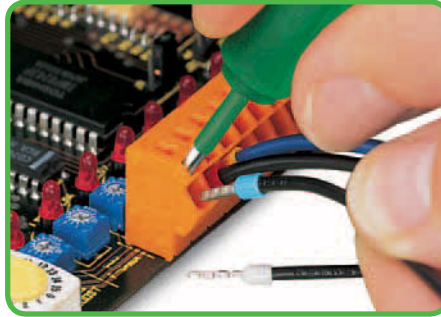


fine-stranded,
8 mm tip-bonded

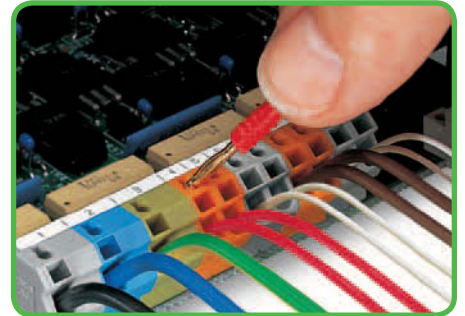
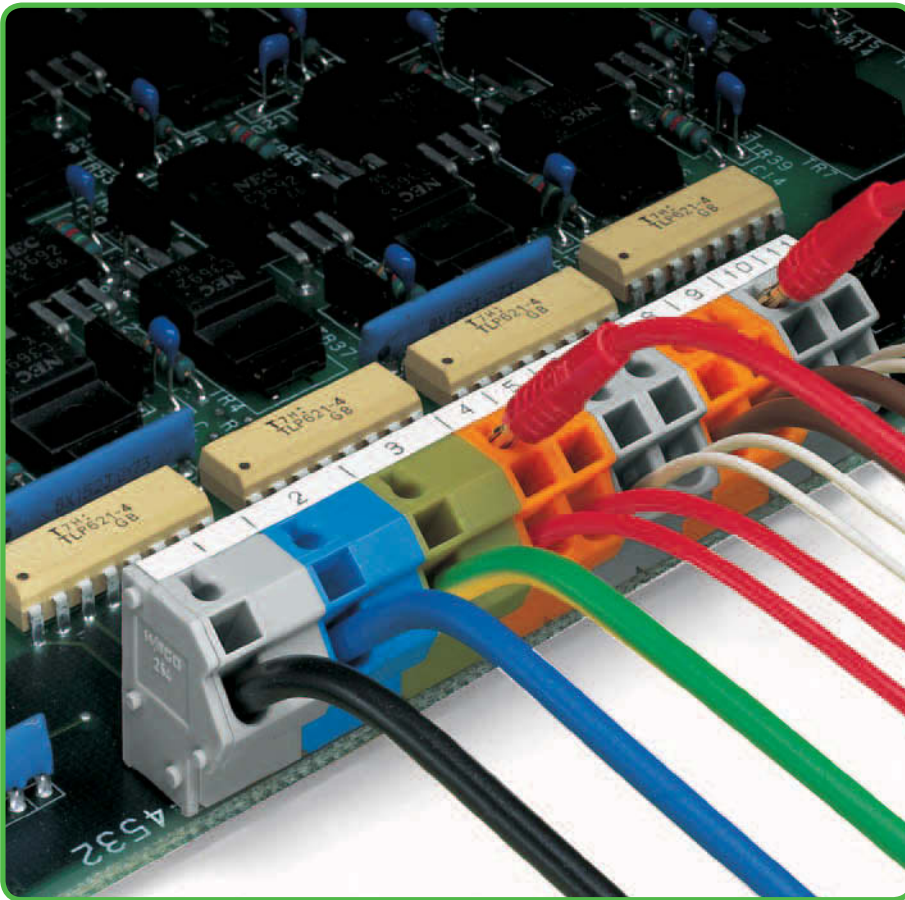
* For aluminum conductors, see notes in Section 11.



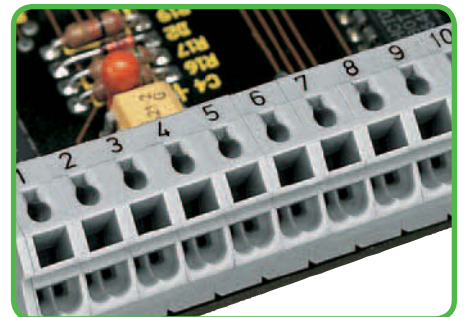
Removing conductor.



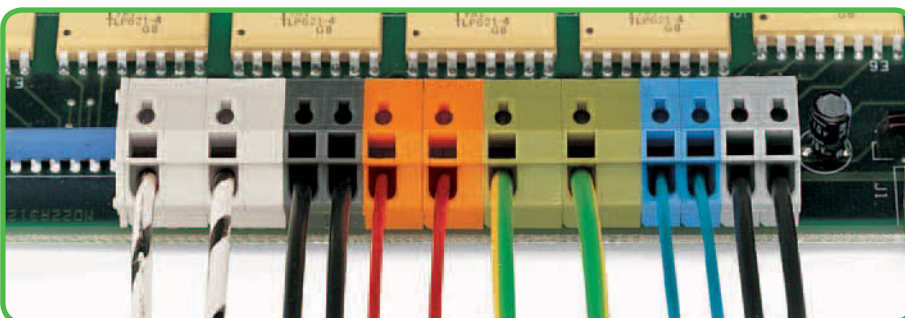
Inserting/removing ferruled conductor.



Testing with Ø 2 mm test plug.



Also available in 2-conductor versions - go to www.wago.com.



Formation of terminal strips with mixed-color housings and different pin spacings.

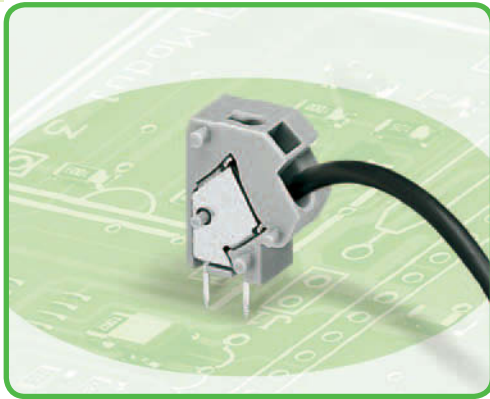


fine-stranded
with crimped ferrule
(gas-tight)



fine-stranded
with crimped pin terminal
(gas-tight)

Modular PCB Terminal Blocks 2.5 mm² Pin Spacing 5/5.08 mm, 7.5/7.62 mm, 10/10.16 mm 254 Series



- Modular terminal blocks with screwdriver-actuated PUSH WIRE® for custom terminal strip assemblies
- Push-in termination of solid and ferruled, fine-stranded conductors
- Test socket for Ø 2 mm test plug
- Saves space on the PCB, just 8.9 mm deep
- For 2-conductor versions, go to www.wago.com

Technical data:

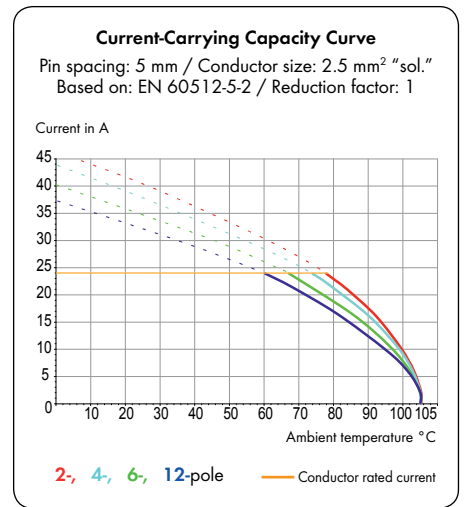
Pin Spacing	5/5.08 mm 0.2 in			7.5/7.62 mm 0.3 in			10/10.16 mm 0.4 in		
	IEC/EN 60664-1			IEC/EN 60664-1			IEC/EN 60664-1		
Rating per	IEC/EN 60664-1			IEC/EN 60664-1			IEC/EN 60664-1		
Overvoltage category	III	III	II	III	III	II	III	III	II
Pollution degree	3	2	2	3	2	2	3	2	2
Rated voltage	320 V	320 V	630 V	500 V	630 V	1000 V	630 V	1000 V	1000 V
Rated surge voltage	4 kV	4 kV	4 kV	6 kV	6 kV	6 kV	8 kV	8 kV	8 kV
Nominal current	24 A	24 A	24 A	24 A	24 A	24 A	24 A	24 A	24 A
Approvals per	UL/CSA			UL/CSA			UL/CSA		
Use group UL1059	B	C	D	B	C	D	B	C	D
Rated voltage	300 V	-	300 V	300 V	-	300 V	300 V	-	300 V
Nominal current UL	10 A	-	10 A	10 A	-	10 A	10 A	-	10 A
Nominal current CSA	10 A	-	10 A	10 A	-	10 A	10 A	-	10 A

Conductor and solder pin data:

Connection technology	PUSH WIRE®
Conductor size: solid	0.5 - 2.5 mm ²
Conductor size: fine-stranded	0.5 - 1.5 mm ² (with insulated ferrule)
Conductor size: fine-stranded	0.5 - 1.5 mm ² (with uninsulated ferrule)
AWG	20 - 12 "sol." (12: THHN, THWN)
Strip length	10 - 12 mm / 0.39 - 0.47 in
Conductor entry angle	45° to PCB
Solder pin: length/width	4 mm / 0.5 x 0.75 mm
Solder pin: drilled hole diameter	1.1 ^{+0.1} mm

Material data:

Material group	I
Insulating material	Nylon 6.6 (PA 6.6)
Flammability rating per UL 94	V0
Lower/Upper temperature limit	-60°C / +105°C
Clamping spring material	Chrome-nickel spring steel (CrNi)
Contact material	Electrolytic copper (E _{Cu})
Contact plating	tin-plated

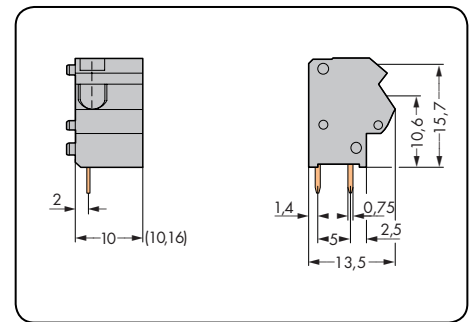
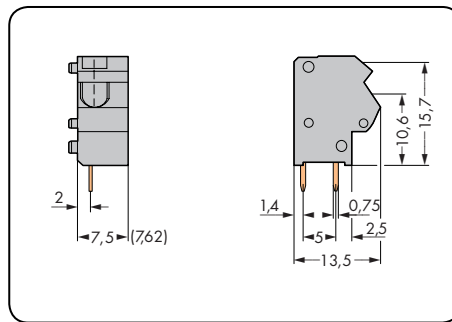
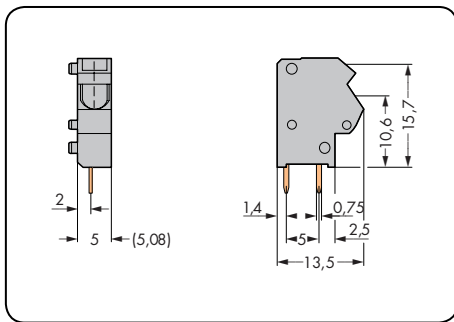


254 Series accessories:

Page:

Marking accessories	540 - 543
Operating tools	526 - 528
Test plug	538

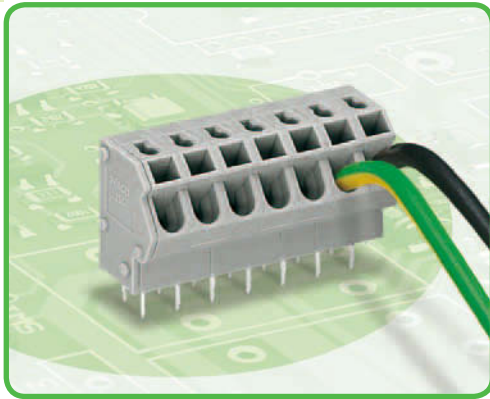
Pin spacing 5/5.08 mm / 0.2 in		Pin spacing 7.5/7.62 mm / 0.3 in		Pin spacing 10/10.16 mm / 0.4 in	
0.5 – 2.5 mm ² "sol."	AWG 20 – 12 "sol."	0.5 – 2.5 mm ² "sol."	AWG 20 – 12 "sol."	0.5 – 2.5 mm ² "sol."	AWG 20 – 12 "sol."
320 V/4 kV/2 24 A	300 V/10 A	630 V/6 kV/2 24 A	300 V/10 A	1000 V/8 kV/2 24 A	300 V/10 A



Color	Item No.	Pack. Unit	Color	Item No.	Pack. Unit	Color	Item No.	Pack. Unit
Modular terminal block, 2 solder pins/pole			Modular terminal block, 2 solder pins/pole			Modular terminal block, 2 solder pins/pole		
gray	254-451	500 (5 x 100)	gray	254-551	400 (4 x 100)	gray	254-651	300 (3 x 100)
dark gray	254-842	500 (5 x 100)	dark gray	254-852	400 (4 x 100)	dark gray	254-862	300 (3 x 100)
light gray	254-843	500 (5 x 100)	light gray	254-853	400 (4 x 100)	light gray	254-863	300 (3 x 100)
blue	254-844	500 (5 x 100)	blue	254-854	400 (4 x 100)	blue	254-864	300 (3 x 100)
orange	254-846	500 (5 x 100)	orange	254-856	400 (4 x 100)	orange	254-866	300 (3 x 100)
light green	254-847	500 (5 x 100)	light green	254-857	400 (4 x 100)	light green	254-867	300 (3 x 100)
			Suitable for Ex i applications			Suitable for Ex i applications		

End plates for 254 Series, snap-on type, 1 mm/0.039 in thick		Color	Item No.	Pack. Unit
		gray	254-100	100
		dark gray	254-200	100
		light gray	254-300	100
		blue	254-400	100
		orange	254-600	100
		light green	254-700	100

PCB Terminal Strips 2.5 mm² Pin Spacing 5/5.08 mm, 7.5/7.62 mm, 10/10.16 mm 254 Series



- Terminal strips with screwdriver-actuated PUSH WIRE® termination
- Push-in termination of solid and ferruled, fine-stranded conductors
- Test socket for Ø 2 mm test plug
- Saves space on the PCB, just 8.9 mm deep
- For 2-conductor versions, go to www.wago.com

Technical data:

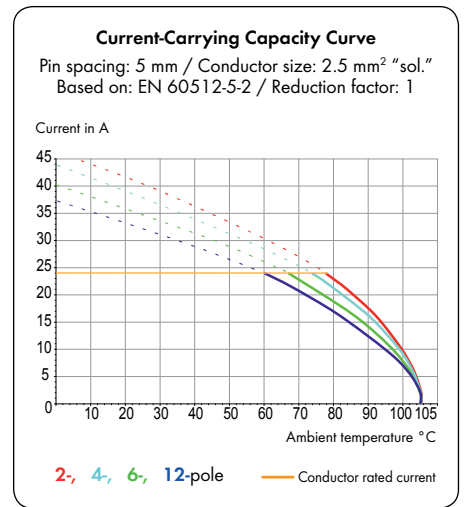
Pin Spacing	5/5.08 mm 0.2 in			7.5/7.62 mm 0.3 in			10/10.16 mm 0.4 in		
	IEC/EN 60664-1			IEC/EN 60664-1			IEC/EN 60664-1		
Rating per	IEC/EN 60664-1			IEC/EN 60664-1			IEC/EN 60664-1		
Overvoltage category	III	III	II	III	III	II	III	III	II
Pollution degree	3	2	2	3	2	2	3	2	2
Rated voltage	320 V	320 V	630 V	500 V	630 V	1000 V	630 V	1000 V	1000 V
Rated surge voltage	4 kV	4 kV	4 kV	6 kV	6 kV	6 kV	8 kV	8 kV	8 kV
Nominal current	24 A	24 A	24 A	24 A	24 A	24 A	24 A	24 A	24 A
Approvals per	UL/CSA			UL/CSA			UL/CSA		
Use group UL1059	B	C	D	B	C	D	B	C	D
Rated voltage	300 V	-	300 V	300 V	-	300 V	300 V	-	300 V
Nominal current UL	10 A	-	10 A	10 A	-	10 A	10 A	-	10 A
Nominal current CSA	10 A	-	10 A	10 A	-	10 A	10 A	-	10 A

Conductor and solder pin data:

Connection technology	PUSH WIRE®
Conductor size: solid	0.5 - 2.5 mm ²
Conductor size: fine-stranded	0.5 - 1.5 mm ² (with insulated ferrule)
Conductor size: fine-stranded	0.5 - 1.5 mm ² (with uninsulated ferrule)
AWG	20 - 12 "sol." (12: THHN, THWN)
Strip length	10 - 12 mm / 0.39 - 0.47 in
Conductor entry angle	45° to PCB
Solder pin: length/width	4 mm / 0.5 x 0.75 mm
Solder pin: drilled hole diameter	1.1 ^{+0.1} mm

Material data:

Material group	I
Insulating material	Nylon 6.6 (PA 6.6)
Flammability rating per UL 94	V0
Lower/Upper temperature limit	-60°C / +105°C
Clamping spring material	Chrome-nickel spring steel (CrNi)
Contact material	Electrolytic copper (E _{Cu})
Contact plating	tin-plated

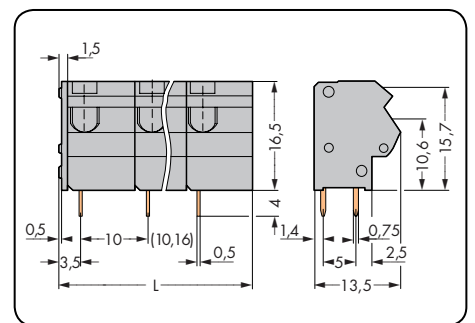
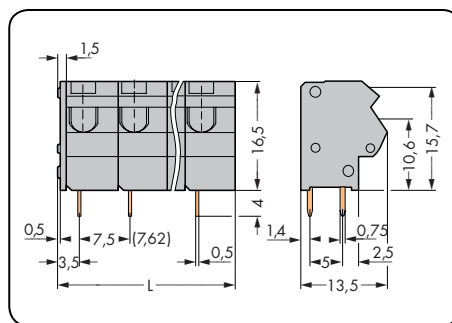
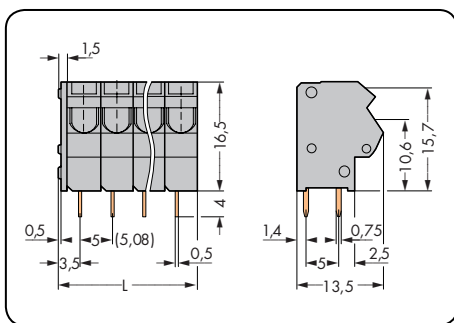


254 Series accessories:

Page:

Marking accessories	540 - 543
Operating tools	526 - 528
Test plug	538

Pin spacing 5/5.08 mm / 0.2 in		Pin spacing 7.5/7.62 mm / 0.3 in		Pin spacing 10/10.16 mm / 0.4 in	
0.5 – 2.5 mm ² "sol."	AWG 20 – 12 "sol."	0.5 – 2.5 mm ² "sol."	AWG 20 – 12 "sol."	0.5 – 2.5 mm ² "sol."	AWG 20 – 12 "sol."
320 V/4 kV/2 24 A	300 V/10 A	630 V/6 kV/2 24 A	300 V/10 A	1000 V/8 kV/2 24 A	300 V/10 A



L = (pole no. x pin spacing) + 1.5 mm

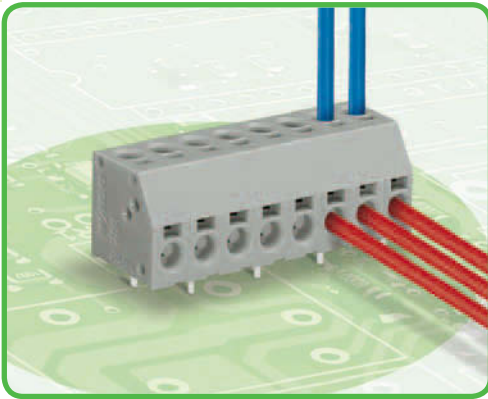
Pole No.	Item No.	Pack. Unit	Pole No.	Item No.	Pack. Unit	Pole No.	Item No.	Pack. Unit
Terminal strip, 2 solder pins/pole, gray			Terminal strip, 2 solder pins/pole, gray			Terminal strip, 2 solder pins/pole, gray		
2	254-452	420 (4 x 105)	2	254-552	280 (4 x 70)	2	254-652	200 (4 x 50)
3	254-453	280 (4 x 70)	3	254-553	200 (4 x 50)	3	254-653	160 (4 x 40)
4	254-454	220 (4 x 55)	4	254-554	140 (4 x 35)	4	254-654	100 (4 x 25)
5	254-455	180 (4 x 45)	5	254-555	120 (4 x 30)	5	254-655	80 (4 x 20)
6	254-456	140 (4 x 35)	6	254-556	100 (4 x 25)	6	254-656	80 (4 x 20)
7	254-457	120 (4 x 30)	7	254-557	80 (4 x 20)	7	254-657	60 (4 x 15)
8	254-458	100 (4 x 25)	8	254-558	80 (4 x 20)	8	254-658	60 (4 x 15)
9	254-459	100 (4 x 25)	9	254-559	60 (4 x 15)	9	254-659	40 (4 x 10)
10	254-460	80 (4 x 20)	10	254-560	60 (4 x 15)	10	254-660	40 (4 x 10)
12	254-462	80 (4 x 20)	12	254-562	40 (4 x 10)	12	254-662	40 (4 x 10)
16	254-466	60 (4 x 15)	16	254-566	40 (4 x 10)	16	254-666	20 (4 x 5)
24	254-474	40 (4 x 10)	24	254-574	20 (4 x 5)	24	254-674	20 (4 x 5)
36	254-486	20 (4 x 5)						
48	254-498	20 (4 x 5)						

Item no. suffixes for colored terminal strips: (Production and prices depend on quantity required)

● red/000-005	Ordering example: Terminal strip, 5/5.08 mm pin spacing 8-pole, orange: 256-458/000-012
● blue/000-006	
● dark gray/000-008	
● light gray/000-009	
● orange/000-012	
● light green/000-017	
① Suitable for Ex i applications (only for 7.5/7.62 mm and 10/10.16 mm pin spacing)		



2-Conductor PCB Terminal Strips 1.5 mm² Pin Spacing 5 mm 253 Series



- Terminal strips with screwdriver-actuated PUSH WIRE® termination
- Double-conductor connection provides top-entry (vertical) and/or side-entry (horizontal) wiring
- Push-in termination of solid conductors
- Double-conductor connection for supply and potential distribution

Technical data:

Pin Spacing	5 mm 0.197 in		
Rating per	IEC/EN 60664-1		
Overtoltage category	III	III	II
Pollution degree	3	2	2
Rated voltage	320 V	320 V	630 V
Rated surge voltage	4 kV	4 kV	4 kV
Nominal current	17.5 A	17.5 A	17.5 A
Approvals per	UL/CSA		
Use group UL1059	B	C	D
Rated voltage	300 V	-	300 V
Nominal current UL	2 A	-	2 A
Nominal current CSA	2 A	-	2 A

Conductor and solder pin data:

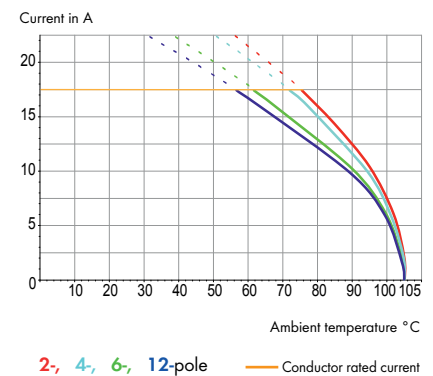
Connection technology	PUSH WIRE®
Conductor size: solid	0.5 - 1.5 mm ²
AWG	20 - 16 "sol."
Strip length	8.5 - 9.5 mm / 0.32 - 0.36 in (for single-side wiring)
Strip length	7 - 8 mm / 0.28 - 0.31 in (for wiring on both sides)
Conductor entry angle	0° and 90° to PCB
Solder pin: length/width	3.6 mm / 0.5 x 0.8 mm
Solder pin: drilled hole diameter	1.1 ^{+0.1} mm

Material data:

Material group	I
Insulating material	Nylon 6.6 (PA 6.6)
Flammability rating per UL 94	V0
Lower/Upper temperature limit	-60°C / +105°C
Clamping spring material	Chrome-nickel spring steel (CrNi)
Contact material	Electrolytic copper (E _{Cu})
Contact plating	tin-plated

Current-Carrying Capacity Curve: Conductor - Solder Pin

Pin spacing: 5 mm / Conductor size: 1.5 mm² "sol."
Based on: EN 60512-5-2 / Reduction factor: 1



253 Series accessories:

Page:

Marking accessories	540 - 543
Operating tools	526 - 528

2-Conductor PCB Terminal Strips 1.5 mm²

PUSH WIRE®

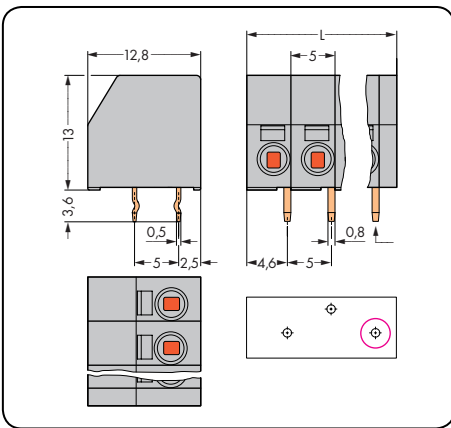
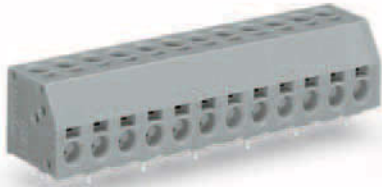
1

167

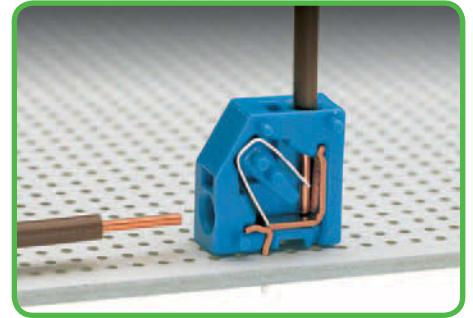
1

Pin spacing 5 mm / 0.197 in

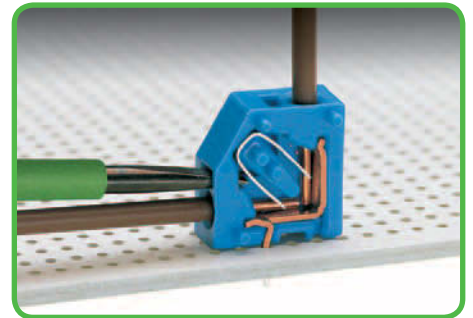
0.5 – 1.5 mm² "sol." | AWG 20 – 16 "sol."
320 V/4 kV/2 17.5 A | 300 V/2 A



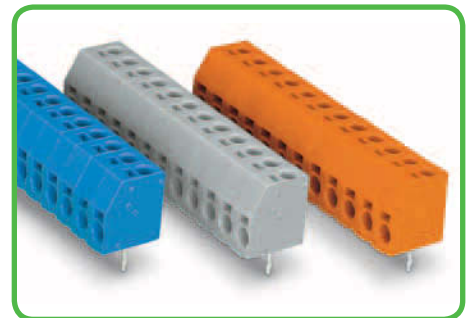
L = (pole no. x pin spacing) + 2 mm
 first solder pin, right front side



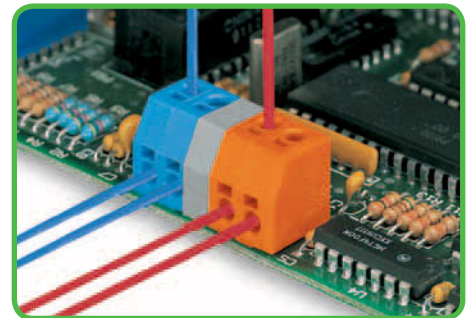
Simply push solid conductor in until it hits backstop.



Remove conductor via 2.5 mm screwdriver.



Insulating housings available in different colors.



Terminal strip insulating housings with or without spacer mixed in different colors upon request.

Pole No.	Item No.	Pack. Unit
2-conductor terminal strip, 1 solder pin/pole, staggered, gray		
2	253-102	400 (4 x 100)
3	253-103	280 (4 x 70)
4	253-104	220 (4 x 55)
5	253-105	160 (4 x 40)
6	253-106	140 (4 x 35)
7	253-107	120 (4 x 30)
8	253-108	100 (4 x 25)
9	253-109	100 (4 x 25)
10	253-110	80 (4 x 20)
11	253-111	80 (4 x 20)
12	253-112	60 (4 x 15)
13	253-113	60 (4 x 15)
14	253-114	60 (4 x 15)
15	253-115	60 (4 x 15)
16	253-116	40 (4 x 10)

Item no. suffixes for colored terminal strips: (Production and prices depend on quantity required)

	yellow	... /000-002	Ordering example: Terminal strip, 5 mm pin spacing, 8-pole, orange, 1 solder pin staggered: 253-108/000-012
	black	... /000-004	
	red	... /000-005	
	blue	... /000-006	
	light gray	... /000-009	
	orange	... /000-012	
	light green	... /000-017	
	violet	... /000-024	
	white	... /000-050	

Please contact factory for other lengths, colors, mixed-color terminal strips, or direct marking.

WAGO®

PCB Terminal Blocks 1.5 mm² Pin Spacing 3.5 mm 744 Series



- Terminal blocks with PUSH WIRE® connection
- Push-in termination of solid conductors – low insertion forces
- Just 6.4 mm high
- Conductor removal via disconnection tool or by twist & pull

Technical data:

Pin Spacing	3.5 mm 0.138 in		
Rating per	IEC/EN 60664-1		
Overvoltage category	III	III	II
Pollution degree	3	2	2
Rated voltage	320 V	320 V	630 V
Rated surge voltage	4 kV	4 kV	4 kV
Nominal current	2 A	2 A	2 A
Approvals per	UL/CSA		
Use group UL1059	B	C	D
Rated voltage	300 V	-	300 V
Nominal current UL	2 A	-	2 A
Nominal current CSA	-	-	-

Conductor and solder pin data:

Connection technology	PUSH WIRE®
Conductor size: solid	0.5 - 1.5 mm ²
AWG	20 - 16 "sol."
Strip length	8 - 9 mm / 0.31 - 0.35 in
Conductor entry angle	0° to PCB
Solder pin: length/width	3.5 mm / 0.35 x 0.9 mm
Solder pin: drilled hole diameter	1.1 ^{±0.1} mm

Material data:

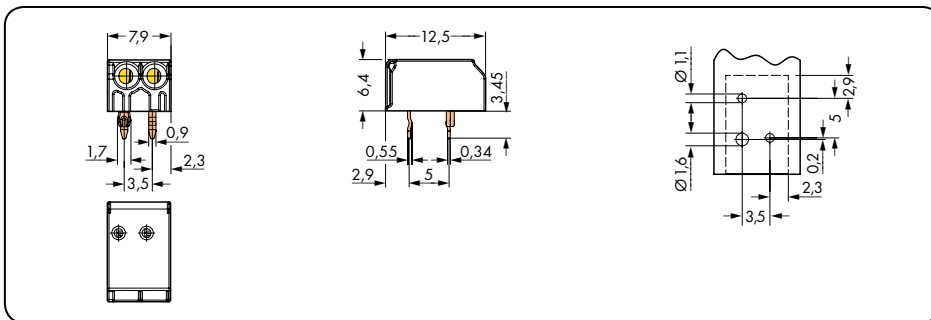
Material group	I
Insulating material	Nylon 6.6 (PA 6.6)
Flammability rating per UL 94	V0
Lower/Upper temperature limit	-60°C / +105°C
Clamping spring material	Chrome-nickel spring steel (CrNi), copper-plated
Contact plating	tin-plated

744 Series accessories:

Page:

Disconnection tool	529

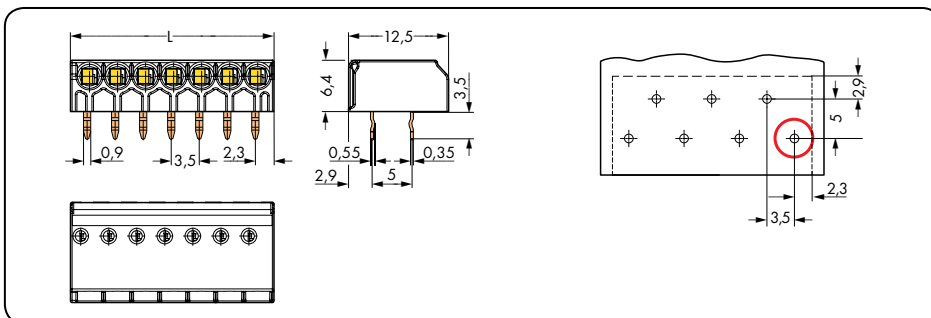
Pin spacing 3.5 mm / 0.138 in	
0.5 – 1.5 mm ² "sol."	AWG 20 – 16 "sol."
320 V/4 kV/2 2 A	300 V/2 A



2-pole, with additional anti-rotatin pin



Inserting solid conductor via push-in termination.



For 3 poles and more, $L = (\text{pole no.} \times \text{pin spacing}) + 0.9 \text{ mm}$
 ○ first solder pin, right front side



Removing conductor via Ø 1.0 mm disconnection tool.

Pole No.	Item No.	Pack. Unit
Terminal block with disconnecting slots, white		
2	744-202	1000
3	744-203	1000
4	744-204	800
6	744-206	500
7	744-207	300
8	744-208	300
10	744-210	200

Item no. suffixes for colored terminal blocks:

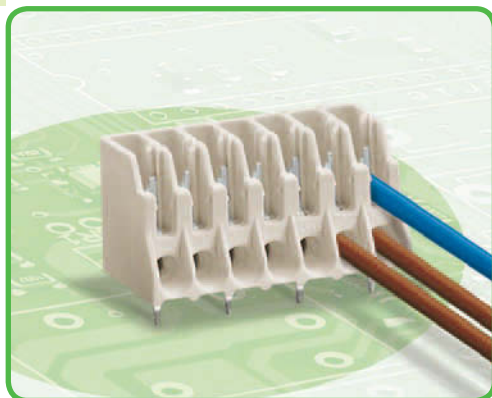
gray	...-.../000-007
orange	...-.../000-012
Ordering example:	
Terminal block, 3.5 mm pin spacing	
10-pole, orange: 744-210/000-012	
(Production and prices depend on quantity required)	

For other lengths and direct marking, please contact factory.

Combi PCB Terminal Blocks with PUSH WIRE® and FIT CLAMP® Connections

Pin Spacing 3.5 mm

251 Series



- Compact Combi PCB terminal blocks are ideal for automated wiring in the lighting industry
- Low conductor insertion forces
- PUSH WIRE® and FIT CLAMP® connections suitable for automated wiring systems

Technical data:

"251 high" version:

"251 mini" version:

Pin Spacing	3.5 mm/0.138 in 0.5 – 1.5 mm ² "sol."			3.5 mm/0.138 in 0.5 – 1 mm ² "sol."		
	IEC/EN 60664-1			IEC/EN 60664-1		
Rating per	III	III	II	III	III	II
Overtoltage category	3	2	2	3	2	2
Pollution degree	250 V	320 V	630 V	320 V	320 V	630 V
Rated voltage	4 kV	4 kV	4 kV	4 kV	4 kV	4 kV
Rated surge voltage	2 A	2 A	2 A	6 A	6 A	6 A
Nominal current	UL/CSA			UL/CSA		
Approvals per	B	C	D	B	C	D
Use group UL1059	-	-	-	300 V	-	300 V
Rated voltage	-	-	-	4 A	-	4 A
Nominal current UL	-	-	-	-	-	-
Nominal current CSA						

Conductor and solder pin data for "251 high" version:

Connection technology	PUSH WIRE®
Conductor size: solid	0.5 – 1.5 mm ²
AWG	20 – 16 "sol."
Strip length	7.5 – 8.5 mm / 0.29 – 0.32 in
Conductor entry angle	0° to PCB
Connection technology	FIT CLAMP® (IDC connection)
Conductor size: solid	0.5 mm ² (PVC insulation, simple)
Conductor size: fine-stranded	0.75 mm ² (PVC insulation, simple)
Solder pin: length/width	3.6 mm / 0.75 x 0.5 mm
Solder pin: drilled hole diameter	1.2 ^{0.1} mm

Conductor and solder pin data for "251 mini" version:

Connection technology	PUSH WIRE®
Conductor size: solid	0.5 – 1 mm ² Max. 2.5 mm insulation diameter for 1 mm ² "sol." conductors
AWG	20 – 18 "sol."
Strip length	8 – 9 mm / 0.31 – 0.35 in
Conductor entry angle	0° to PCB
Connection technology	FIT CLAMP® (IDC connection)
Conductor size: solid	0.5 mm ² (PVC insulation, simple)
Conductor size: fine-stranded	0.75 mm ² (PVC insulation, simple)
Solder pin: length/width	3.2 mm / 0.75 x 0.5 mm
Solder pin: drilled hole diameter	1.1 ^{0.1} mm

Material data:

Material group	I
Insulating material	Nylon 6.6 (PA 6.6)
Flammability rating per UL 94	V0
Lower/Upper temperature limit	-60°C / +105°C
Clamping spring material	Chrome-nickel spring steel (CrNi) (for "251 mini" only)
Contact material	Copper alloy
Contact plating	tin-plated

251 Series accessories:

Page:

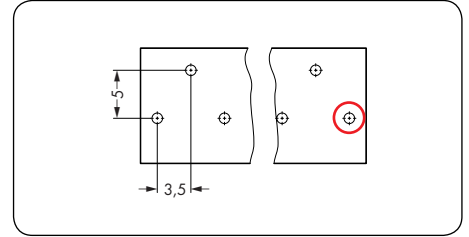
Operating tool	527
Disconnect tool	529

Combi PCB Terminal Blocks with PUSH WIRE® and FIT CLAMP® Connections

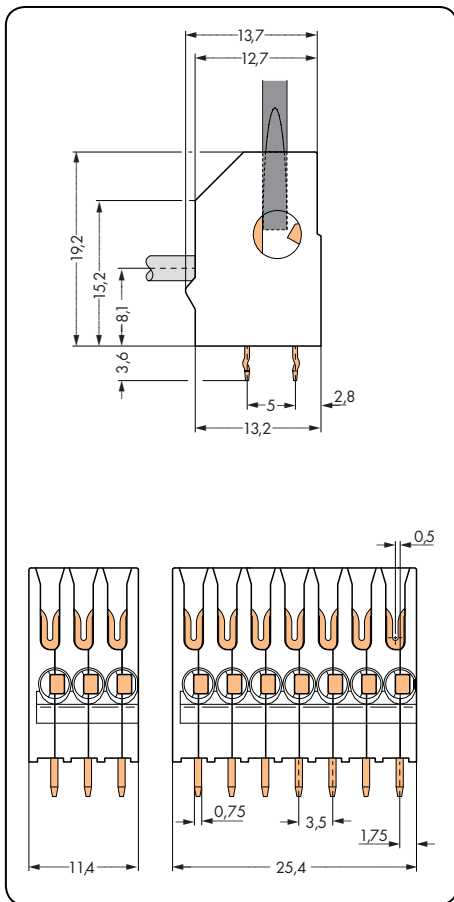
FIT CLAMP®
PUSH WIRE®

1
171

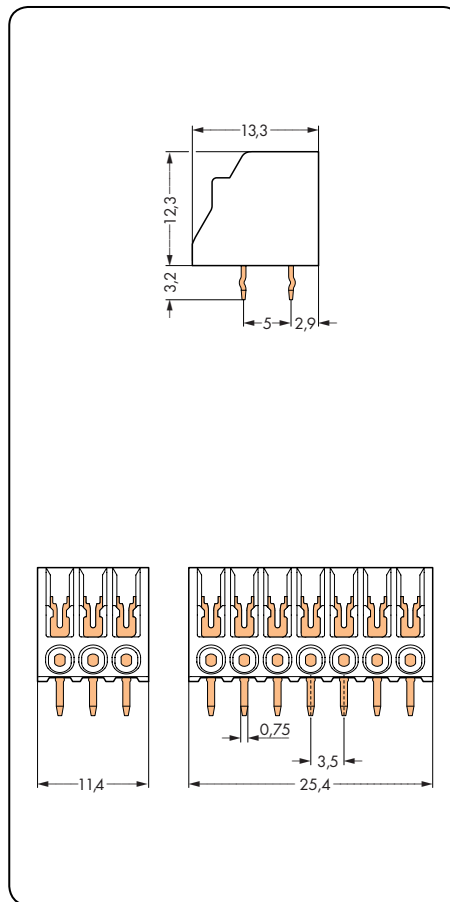
"251 high" version Pin spacing 3.5 mm / 0.138 in		"251 mini" version Pin spacing 3.5 mm / 0.138 in		Handling
0.5 – 1.5 mm ² "sol."	AWG 20 – 16 "sol."	0.5 – 1 mm ² "sol."	AWG 20 – 18 "sol."	
320 V/4 kV/2 A		320 V/4 kV/2 A	300 V/4 A	



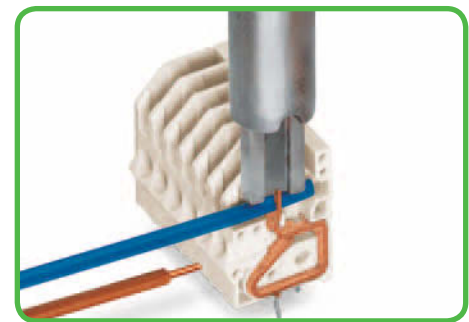
Starting point (first solder pin), right front side



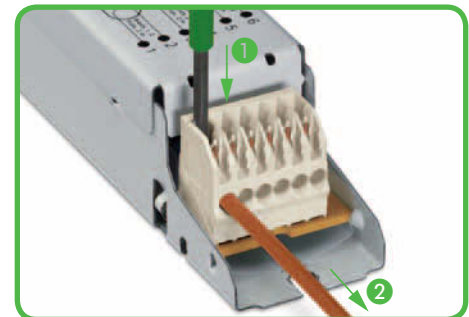
L = (pole no. x pin spacing) + 0.9 mm



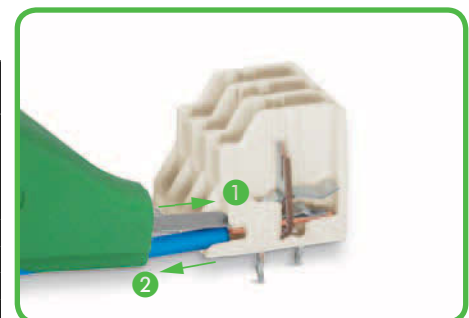
L = (pole no. x pin spacing) + 0.9 mm



Conductor termination – "251 high" and "251 mini"
PUSH WIRE® = Simply push in conductor.
FIT CLAMP® (IDC) = Insert conductor via 206-831 operating tool.



Conductor removal – "251 high"
PUSH WIRE®: Open spring via 2.5 x 0.4 mm screwdriver and pull out conductor.
FIT CLAMP® (IDC): Pull up vertically on conductor to remove it (10 x reconnection possible when used properly. Before re-using, cut off old contact point from conductor)



Conductor removal – "251 mini"
PUSH WIRE®: Twist conductor and pull out, or fully insert 206-830 disconnection tool over the conductor and pull it out.
FIT CLAMP® (IDC): Pull up vertically on conductor to remove it (10 x reconnection possible when used properly. Before re-using, cut off old contact point from conductor)

Pole No.	Item No.	Pack. Unit	Pole No.	Item No.	Pack. Unit
Combi PCB terminal block with PUSH WIRE® and IDC connections, white			Combi PCB terminal block with PUSH WIRE® (max. 2.5 mm insulation diameter for 1 mm ² "sol." conductors) and IDC connections, white		
2	251-102	600 (4 x 150)	3	251-303	420 (4 x 105)
3	251-103	420 (4 x 105)	4	251-304	320 (4 x 80)
4	251-104	320 (4 x 80)	6	251-306	200 (4 x 50)
5	251-105	260 (4 x 65)	7	251-307	180 (4 x 45)
6	251-106	220 (4 x 55)	8	251-308	160 (4 x 40)
7	251-107	180 (4 x 45)	10	251-310	120 (4 x 30)

For other lengths and direct marking, please contact factory.